

## **BURG – It is our aim to inspire you.**

Customers who demand real added value for the products they buy feel that they are in the best possible hands when they come to BURG. This is backed up by our 120 years of experience and our commitment to offering all our customers the product which provides the optimal solution to the challenges they face.

BURG provides intelligent locking systems for global markets. Manufacturers of wooden and glass furniture, for instance, will get from us one central system for all solutions. It doesn't matter whether they are needed on the front or in the interior: the locks, knobs, electronic components, cylinder cores and keys can be freely combined with one another. This gives furniture makers a free hand and will satisfy even the most stringent technical and design requirements.



The BURG company also lends its expertise to manufacturers of steel furniture and control cabinets. We want to do our best for all our customers. Supporting us in this endeavour are our well-established products, our individual solutions, our logistics concepts, our training courses, our production expertise and, last but by no means least, the speed and friendliness of our service.



### Lend your options wings.

Open up new dimensions for your company.

With the five BURG building blocks for sustainable competitive success:

#### BURG Lock Options

Intelligent lock systems for global markets.

#### BURG Engineering

Design, construction, development and project management for innovative products.

#### BURG Plus

Advice and guidance in the development and optimisation of products, manufacturing processes and logistics concepts.

#### BURG Academy

Employee qualification related to construction, manufacture, logistics and IT applications in industrial processes.

#### BURG Manufacturing

Complete solutions for efficient component manufacture and metal processing, especially zinc die casting.

[www.burg.de](http://www.burg.de)

1 Furniture knobs	
2 Espagnolette locks	
3 Screw-on locks	
4 Glass door locks	
5 Central locks	
6 Special locks	
7 Electronics	
8 Coin deposit and Combination locks	
9 Accessories for cylinder cores	
10 Accessories for keys	
11 Accessories for disassembly	
12 Accessories for rosettes	
13 Accessories for glass furniture	
14 Accessories for angular strikes	
15 Accessories for espagnolette locks	

# One BURG system for all applications



**Combination system:**

All locks are fitted with a single housing. The base for an intelligent combination system for either interchangeable core cylinders or turn knobs in all standard locks.



**Forced locking system:**

A forced locking system can be added to standard locks after fitting. The uniform locking angle of 90° immediately shows if the furniture is open or locked.



**Left or right hand installation:**

The BURG furniture locking systems are available for left or right hand installation, reversible even after installation.



**Single bore diameter:**

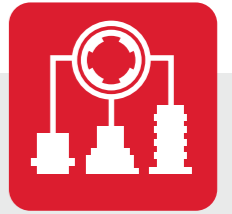
The single bore diameter of 21 mm provides maximum flexibility with rotary rod and rim locks as well as turn slide and push cylinders.



**6/8er rod compatibility:**

Rotary rod locks and hooks are suitable for both rod diameters.

# A system for all solutions



There is no limit to the combinations and variations. Open to all your requests, ideas and requirements. Choose from a variety of locking systems, decorative items and other accessories. Whether in front or in the interior – everything can be combined.

**Electronics**



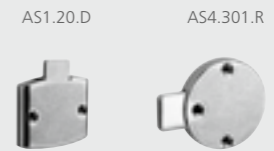
**Espagnolette locks**



**Turn knobs**



**Screw-on locks**



**Cylinder cores**



**Glass door locks**



**Keys**



**Special locks**



**Rosettes**



**Lock with falling latch/turn knob/rosette**



# Special surfaces

**Our BURG products are available in different surfaces.**

product examples for different finishes



gold-plated

The complete BURG range, technical information and examples of customer-specific solutions can be found at [www.burg.de](http://www.burg.de)



brilliance-nickel-plated



brushed-nickel



coated

Please ask for our possibilities.

## Furniture knobs



1

2

3

4

5

6

7

8

9

10

11

12

13

14

15

# Wooden furniture

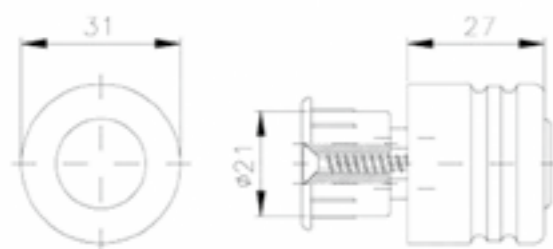
**BK1.2** | Without lock



**Product description:** Fixed knob with circumferential groove. For single assembly. Special sleeve for door hole 21, included with delivery.

<b>material</b>	Die-cast
<b>finish</b>	looks like matt-nickel-plated

**Ordering information:** Two standard Spax screws can also be used as an alternative to the special sleeve. Please specify at time of ordering.



# Wooden furniture

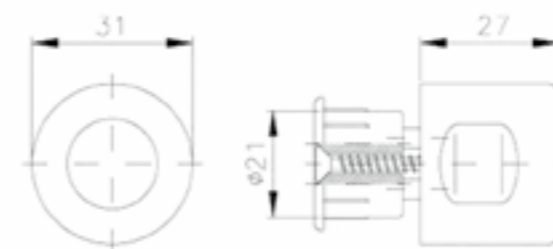
**BK2.2** | Without lock



**Product description:** Fixed knob with two side recesses. For single assembly. Special sleeve for door hole 21, included with delivery.

<b>material</b>	Die-cast
<b>finish</b>	looks like matt-nickel-plated

**Ordering information:** Two standard Spax screws can also be used as an alternative to the special sleeve. Please specify at time of ordering.



# Wooden furniture

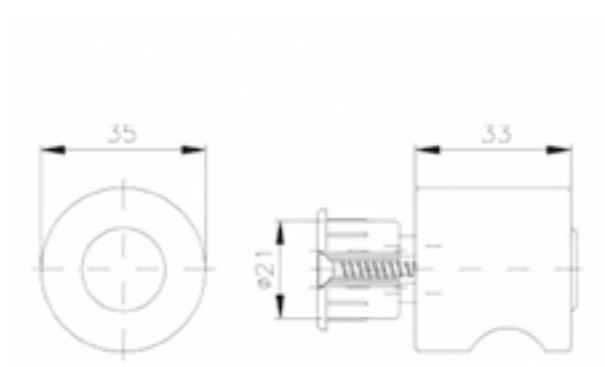
**BK3.2** | Without lock



**Product description:** Fixed knob, large design with recess underneath. For single assembly. Special sleeve for door hole 21, included with delivery.

<b>material</b>	Die-cast
<b>finish</b>	looks like matt-nickel-plated

**Ordering information:** Two standard Spax screws can also be used as an alternative to the special sleeve. Please specify at time of ordering.



# Wooden furniture

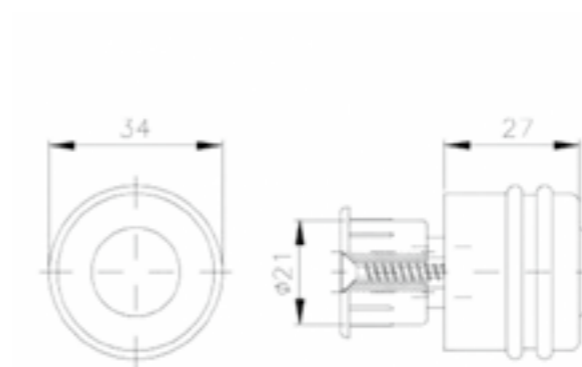
**BK4.2** | Without lock



**Product description:** Fixed knob with two rubber rings. For single assembly. Special sleeve for door hole 21, included with delivery.

<b>material</b>	Die-cast
<b>finish</b>	looks like matt-nickel-plated

**Ordering information:** Two standard Spax screws can also be used as an alternative to the special sleeve. Please specify at time of ordering.



# Wooden furniture

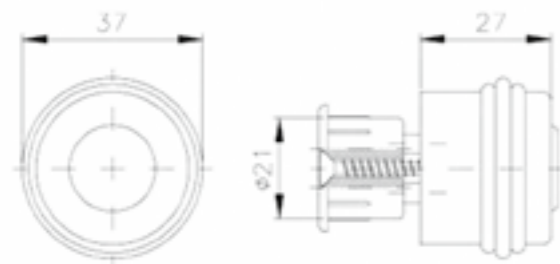
**BK5.2** | Without lock



**Product description:** Fixed knob with three rubber rings. For single assembly. Special sleeve for door hole 21, included with delivery.

**Ordering information:** Two standard Spax screws can also be used as an alternative to the special sleeve. Please specify at time of ordering.

<b>material</b>	Die-cast
<b>finish</b>	looks like matt-nickel-plated



# Wooden furniture

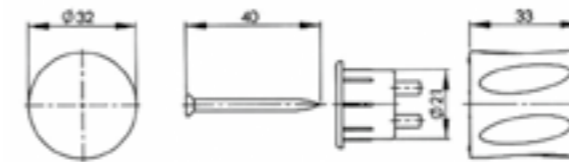
**BK6.995** | Without lock



**Product description:** Fixed knob with recesses, for single assembly. Special sleeve for door hole 21, included with delivery.

**Ordering information:** Two standard Spax screws can also be used as an alternative to the special sleeve. Please specify at time of ordering.

<b>material</b>	Die-cast
<b>finish</b>	aluminium finish



# Wooden furniture

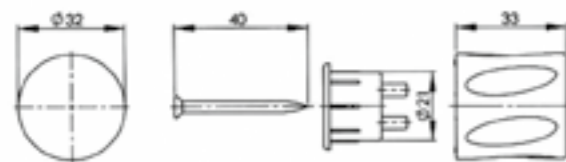
**BK6.996** | Without lock



**Product description:** Fixed knob with recesses, for single assembly: Special sleeve for door hole 21, included with delivery.

**Ordering information:** Two standard Spax screws can also be used as an alternative to the special sleeve. Please specify at time of ordering.

<b>material</b>	Die-cast
<b>finish</b>	carbon metallic



# Wooden furniture

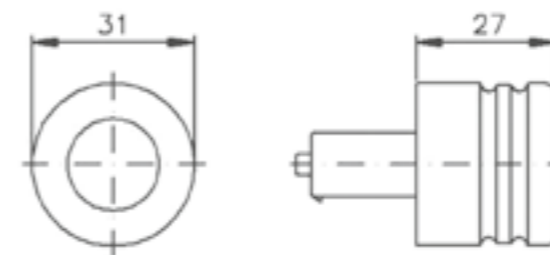
**DK1.2** | Without lock



**Product description:** Turn knob with two circumferential grooves, right/left, compatible with all Burg furniture keys.

**Ordering information:** Matching accessories for this product (e.g. espagnolette locks, screw-on locks and cylinder cores) can be found in the corresponding sections.

<b>finish</b>	looks like matt-nickel-plated
<b>material</b>	Die-cast
<b>Locking direction</b>	R / L



# Wooden furniture

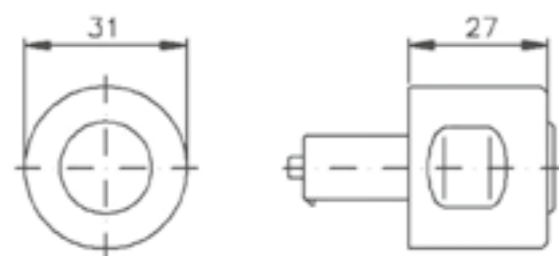
DK2.2 | Without lock



**Product description:** Turn knob with two side recesses, right/left, compatible with all Burg furniture keys.

**Ordering information:** Matching accessories for this product (e.g. espagnolette locks, screw-on locks and cylinder cores) can be found in the corresponding sections.

<b>finish</b>	looks like matt-nickel-plated
<b>material</b>	Die-cast
<b>Locking direction</b>	R / L



# Wooden furniture

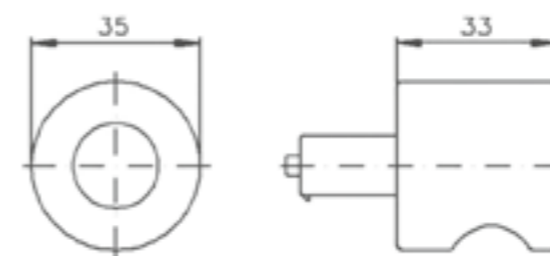
DK3.2 | Without lock



**Product description:** Turn knob, large design, with recesses underneath, right/left, compatible with all Burg furniture keys.

**Ordering information:** Matching accessories for this product (e.g. espagnolette locks, screw-on locks and cylinder cores) can be found in the corresponding sections.

<b>finish</b>	looks like matt-nickel-plated
<b>material</b>	Die-cast
<b>Locking direction</b>	R / L



# Wooden furniture

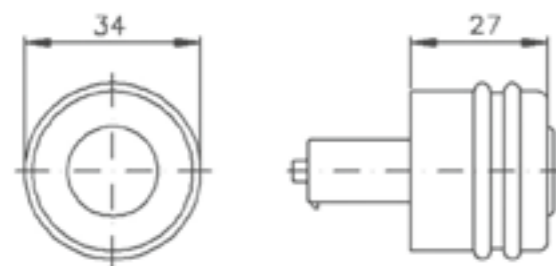
DK4.2 | Without lock



**Product description:** Turn knob with two rubber rings, right/left, compatible with all Burg furniture keys.

**Ordering information:** Matching accessories for this product (e.g. espagnolette locks, screw-on locks and cylinder cores) can be found in the corresponding sections.

<b>finish</b>	looks like matt-nickel-plated
<b>material</b>	Die-cast
<b>Locking direction</b>	R / L



# Wooden furniture

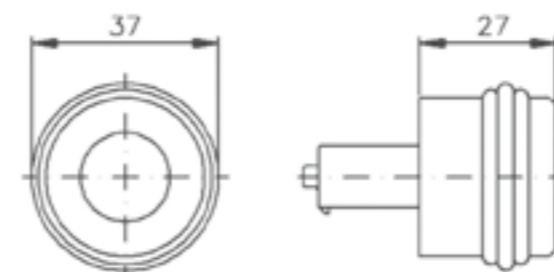
DK5.2 | Without lock



**Product description:** Turn knob with three rubber rings, right/left, compatible with all Burg furniture keys.

**Ordering information:** Matching accessories for this product (e.g. espagnolette locks, screw-on locks and cylinder cores) can be found in the corresponding sections.

<b>finish</b>	looks like matt-nickel-plated
<b>material</b>	Die-cast
<b>Locking direction</b>	R / L



# Wooden furniture

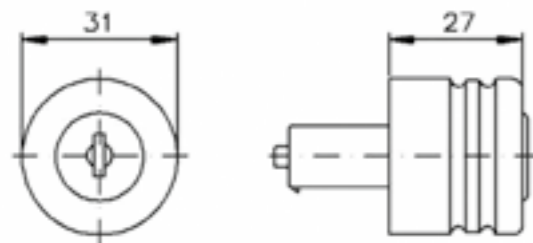
ZDK1.2 | Handle systems



**Product description:** Cylinder turn knob with circumferential grooves, right/left, compatible with all Burg furniture keys.

<b>material</b>	Die-cast
<b>finish</b>	looks like matt-nickel-plated
<b>Locking direction</b>	R/L

**Ordering information:** Cylinder core **not** included with item, please order separately. Matching accessories for this product (e.g. espagnolette locks, screw-on locks and cylinder cores) can be found in the corresponding sections.



# Wooden furniture

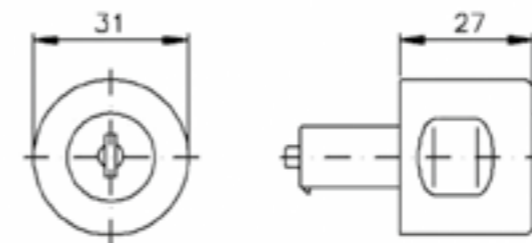
ZDK2.2 | Handle systems



**Product description:** Cylinder turn knob with two side recesses, right/left, compatible with all Burg furniture keys.

<b>material</b>	Die-cast
<b>finish</b>	looks like matt-nickel-plated
<b>Locking direction</b>	R/L

**Ordering information:** Cylinder core **not** included with item, please order separately. Matching accessories for this product (e.g. espagnolette locks, screw-on locks and cylinder cores) can be found in the corresponding sections.



# Wooden furniture

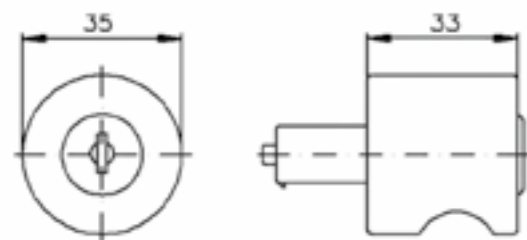
ZDK3.2 | Handle systems



**Product description:** Cylinder turn knob, large design, with recesses underneath, right/left, compatible with all Burg furniture keys.

material	Die-cast
finish	looks like matt-nickel-plated
Locking direction	R/L

**Ordering information:** Cylinder core **not** included with item, please order separately. Matching accessories for this product (e.g. espagnolette locks, screw-on locks and cylinder cores) can be found in the corresponding sections.

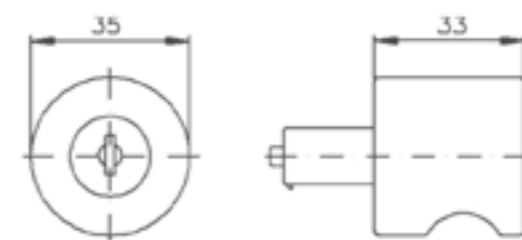


# Wooden furniture

ZDK3.9 | Handle systems



material	Die-cast
Locking direction	R/L



# Wooden furniture

ZDK4.2 | Handle systems



**Product description:** Cylinder turn knob with two rubber rings, right/left, compatible with all Burg furniture keys.

**Ordering information:** Cylinder core **not** included with item, please order separately. Matching accessories for this product (e.g. espagnolette locks, screw-on locks and cylinder cores) can be found in the corresponding sections.

<b>material</b>	Die-cast
<b>finish</b>	looks like matt-nickel-plated
<b>Locking direction</b>	R/L

# Wooden furniture

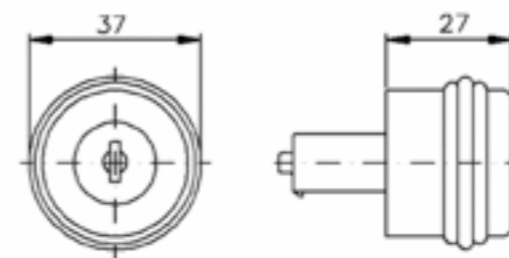
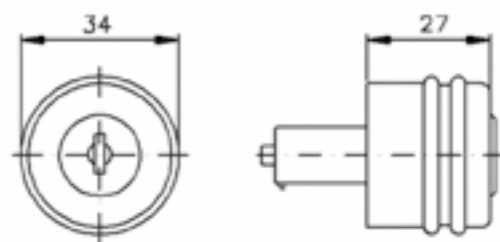
ZDK5.2 | Handle systems



**Product description:** Cylinder turn knob with three rubber rings, right/left, compatible with all Burg furniture keys.

**Ordering information:** Cylinder core **not** included with item, please order separately. Matching accessories for this product (e.g. espagnolette locks, screw-on locks and cylinder cores) can be found in the corresponding sections.

<b>material</b>	Die-cast
<b>finish</b>	looks like matt-nickel-plated
<b>Locking direction</b>	R/L



# Wooden furniture

ZDK6.995 | Handle systems



**Product description:** Cylinder turn knob with recesses, right/left, compatible with all Burg furniture keys.

**Ordering information:** Cylinder core **not** included with item, please order separately. Matching accessories for this product (e.g. espagnolette locks, screw-on locks and cylinder cores) can be found in the corresponding sections.

<b>material</b>	Die-cast
<b>finish</b>	aluminium finish
<b>Locking direction</b>	R/L

# Wooden furniture

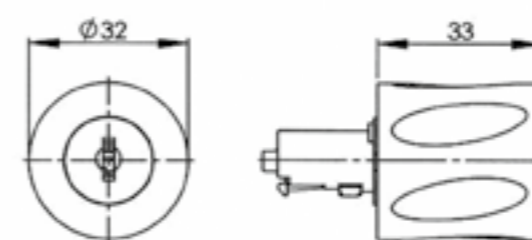
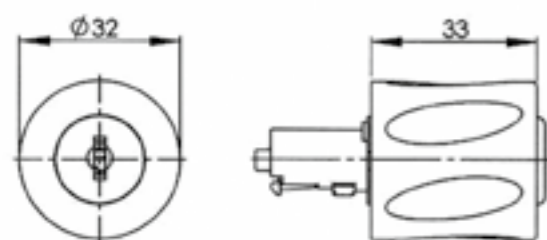
ZDK6.996 | Handle systems



**Product description:** Cylinder turn knob, right/left, compatible with all Burg furniture keys.

**Ordering information:** Cylinder core **not** included with item, please order separately. Matching accessories for this product (e.g. espagnolette locks, screw-on locks and cylinder cores) can be found in the corresponding sections.

<b>material</b>	Die-cast
<b>finish</b>	carbon metallic
<b>Locking direction</b>	R/L





## Espagnolette locks



# Wooden furniture

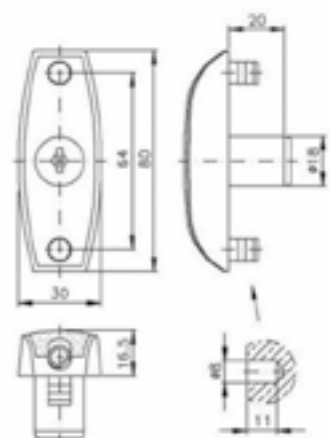
**DSD1.00** | Espagnolette Lock | backset 0 mm



**Product description:** Design **espagnolette lock** for plugging for 2-point locking, without bolt. Suitable for holding 6/5 mm and/or 8/7 mm profile espagnolettes.

**Ordering information:** Matching accessories for this product (e.g. hook to knock, cylinder cores and turn knobs) can be found in the corresponding sections.

<b>finish</b>	nickel-plated
<b>locking movements</b>	90°
<b>material</b>	Die-cast
<b>Cylinder length (mm)</b>	Door thickness 19 mm (also available 22, 25, 28 and 32)
<b>Cylinder diameter (mm)</b>	18 mm
<b>Backset</b>	without bolt
<b>Locking direction</b>	R / L



# Wooden furniture

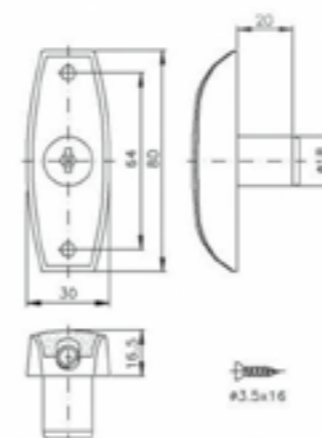
**DSS1.00** | Espagnolette Lock | backset 0 mm



**Product description:** Design **espagnolette lock** for screwing on for 2-point locking, without bolt. Suitable for holding 6/5 mm and/or 8/7 mm profile espagnolettes.

**Ordering information:** Matching accessories for this product (e.g. hook to knock, cylinder cores and turn knobs) can be found in the corresponding sections.

<b>Backset</b>	without bolt
<b>material</b>	Die-cast
<b>finish</b>	nickel-plated
<b>Locking direction</b>	R / L
<b>locking movements</b>	90°
<b>Cylinder diameter (mm)</b>	18 mm
<b>Cylinder length (mm)</b>	Door thickness 19 mm (also available 22, 25, 28 and 32)



# Wooden furniture

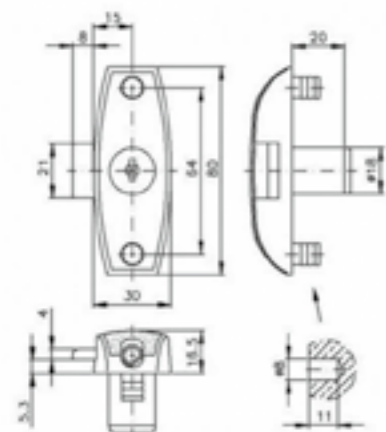
DSD1.15 | Espagnolette Lock | backset 15 mm



**Product description:** Design **espagnolette lock** for plugging, suitable for holding 6/5 mm and/or 8/7 mm profile espagnolettes.

**Ordering information:** Matching accessories for this product (e.g. hook to knock, cylinder cores and turn knobs) can be found in the corresponding sections.

<b>Backset</b>	15 mm
<b>material</b>	Die-cast
<b>finish</b>	nickel-plated
<b>Locking direction</b>	R / L
<b>locking movements</b>	90°
<b>Cylinder diameter (mm)</b>	18 mm
<b>Cylinder length (mm)</b>	Door thickness 19 mm (also available 22, 25, 28 and 32)



# Wooden furniture

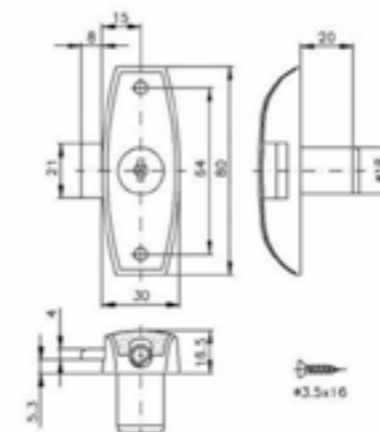
DSS1.15 | Espagnolette Lock | backset 15 mm



**Product description:** Design **espagnolette lock** for screwing on, suitable for holding 6/5 mm and/or 8/7 mm profile espagnolettes.

**Ordering information:** Matching accessories for this product (e.g. hook to knock, cylinder cores and turn knobs) can be found in the corresponding sections.

<b>Backset</b>	15 mm
<b>material</b>	Die-cast
<b>finish</b>	nickel-plated
<b>Locking direction</b>	R / L
<b>locking movements</b>	90°
<b>Cylinder diameter (mm)</b>	18 mm
<b>Cylinder length (mm)</b>	Door thickness 19 mm (also available 22, 25, 28 and 32)



## Wooden furniture

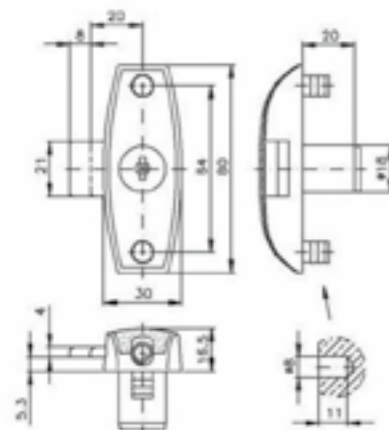
DSD1.20 | Espagnolette Lock | backset 20 mm



**Product description:** Design **espagnolette lock** for plugging, suitable for holding 6/5 mm and/or 8/7 mm profile espagnolettes.

**Ordering information:** Matching accessories for this product (e.g. hook to knock, cylinder cores and turn knobs) can be found in the corresponding sections.

<b>Backset</b>	20 mm
<b>material</b>	Die-cast
<b>finish</b>	nickel-plated
<b>Locking direction</b>	R / L
<b>locking movements</b>	90°
<b>Cylinder diameter (mm)</b>	18 mm
<b>Cylinder length (mm)</b>	Door thickness 19 mm (also available 22, 25, 28 and 32)



## Wooden furniture

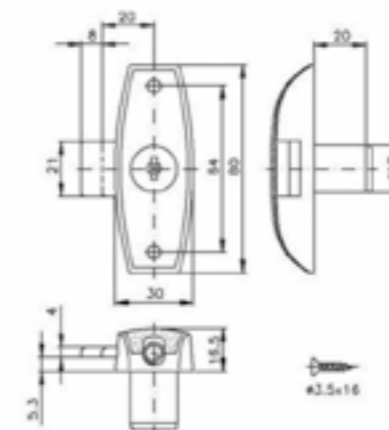
DSS1.20 | Espagnolette Lock | backset 20 mm



**Product description:** Design **espagnolette lock** for screwing on, suitable for holding 6/5 mm and/or 8/7 mm profile espagnolettes.

**Ordering information:** Matching accessories for this product (e.g. hook to knock, cylinder cores and turn knobs) can be found in the corresponding sections.

<b>Backset</b>	20 mm
<b>material</b>	Die-cast
<b>finish</b>	nickel-plated
<b>Locking direction</b>	R / L
<b>locking movements</b>	90°
<b>Cylinder diameter (mm)</b>	18 mm
<b>Cylinder length (mm)</b>	Door thickness 19 mm (also available 22, 25, 28 and 32)



# Wooden furniture

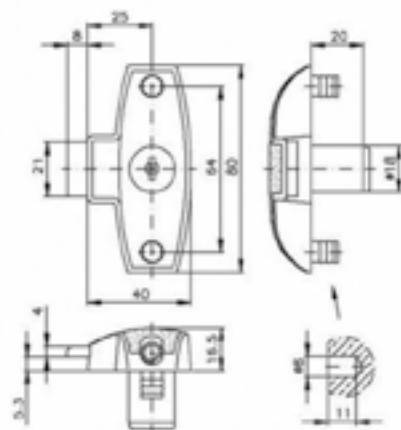
DSD1.25 | Espagnolette Lock | backset 25 mm



**Product description:** Design **espagnolette lock** for plugging, suitable for holding 6/5 mm and/or 8/7 mm profile espagnolettes.

**Ordering information:** Matching accessories for this product (e.g. hook to knock, cylinder cores and turn knobs) can be found in the corresponding sections.

<b>Backset</b>	25 mm
<b>material</b>	Die-cast
<b>finish</b>	nickel-plated
<b>Locking direction</b>	R / L
<b>locking movements</b>	90°
<b>Cylinder diameter (mm)</b>	18 mm
<b>Cylinder length (mm)</b>	Door thickness 19 mm (also available 22, 25, 28 and 32)



# Wooden furniture

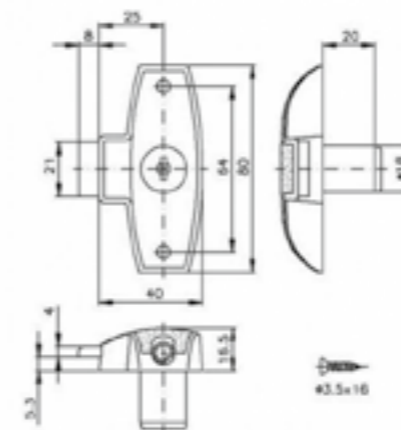
DSS1.25 | Espagnolette Lock | backset 25 mm



**Product description:** Design **espagnolette lock** for screwing on, suitable for holding 6/5 mm and/or 8/7 mm profile espagnolettes.

**Ordering information:** Matching accessories for this product (e.g. hook to knock, cylinder cores and turn knobs) can be found in the corresponding sections.

<b>Backset</b>	25 mm
<b>material</b>	Die-cast
<b>finish</b>	nickel-plated, gold-plated
<b>Locking direction</b>	R / L
<b>locking movements</b>	90°
<b>Cylinder diameter (mm)</b>	18 mm
<b>Cylinder length (mm)</b>	Door thickness 19 mm (also available 22, 25, 28 and 32)



## Wooden furniture

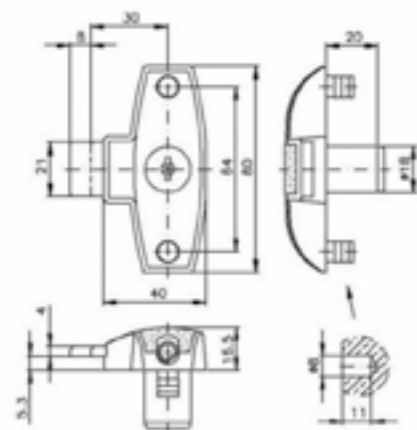
DSD1.30 | Espagnolette Lock | backset 30 mm



**Product description:** Design **espagnolette lock** for plugging, suitable for holding 6/5 mm and/or 8/7 mm profile espagnolettes.

**Ordering information:** Matching accessories for this product (e.g. hook to knock, cylinder cores and turn knobs) can be found in the corresponding sections.

<b>Backset</b>	30 mm
<b>material</b>	Die-cast
<b>finish</b>	nickel-plated
<b>Locking direction</b>	R / L
<b>locking movements</b>	90°
<b>Cylinder diameter (mm)</b>	18 mm
<b>Cylinder length (mm)</b>	Door thickness 19 mm (also available 22, 25, 28 and 32)



## Wooden furniture

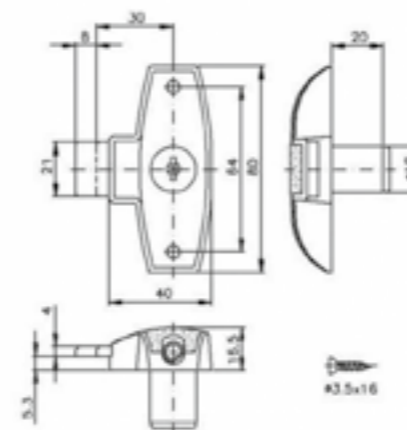
DSS1.30 | Espagnolette Lock | backset 30 mm



**Product description:** Design **espagnolette lock** for screwing on, suitable for holding 6/5 mm and/or 8/7 mm profile espagnolettes.

**Ordering information:** Matching accessories for this product (e.g. hook to knock, cylinder cores and turn knobs) can be found in the corresponding sections.

<b>Backset</b>	30 mm
<b>material</b>	Die-cast
<b>finish</b>	nickel-plated, gold-plated
<b>Locking direction</b>	R / L
<b>locking movements</b>	90°
<b>Cylinder diameter (mm)</b>	18 mm
<b>Cylinder length (mm)</b>	Door thickness 19 mm (also available 22, 25, 28 and 32)



# Wooden furniture

DSD2 | Espagnolette Lock | backset 38 mm



**Product description:** Heavy-duty **espagnolette lock** for **plugging**, only suitable for holding **8/7 mm** profile espagnolettes, continuous bars.

**Ordering information:** Matching accessories for this product (e.g. hook to knock, cylinder cores and turn knobs) can be found in the corresponding sections.

<b>Backset</b>	38 mm
<b>material</b>	Die-cast
<b>finish</b>	nickel-plated
<b>Locking direction</b>	R / L
<b>locking movements</b>	90°
<b>Cylinder diameter (mm)</b>	18 mm
<b>Cylinder length (mm)</b>	Door thickness 19 mm (also available 22, 25, 28 and 32)

# Wooden furniture

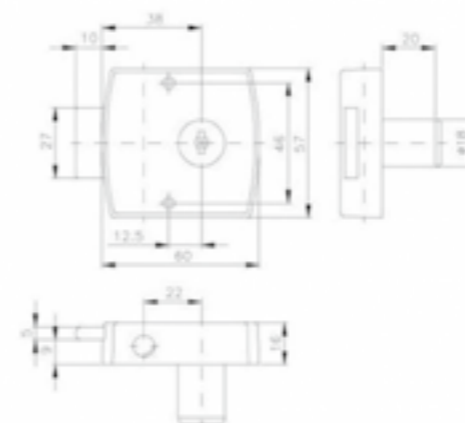
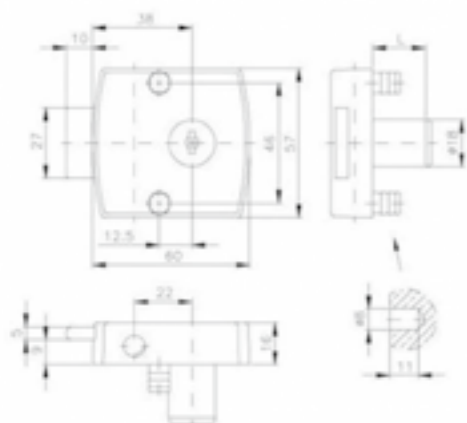
DSS2 | Espagnolette Lock | backset 38 mm



**Product description:** Heavy-duty **espagnolette lock** for **screwing on**, only suitable for holding **8/7 mm** profile espagnolettes, continuous bars.

**Ordering information:** Matching accessories for this product (e.g. hook to knock, cylinder cores and turn knobs) can be found in the corresponding sections.

<b>Backset</b>	38 mm
<b>material</b>	Die-cast
<b>finish</b>	nickel-plated, gold-plated
<b>Locking direction</b>	R / L
<b>locking movements</b>	90°
<b>Cylinder diameter (mm)</b>	18 mm
<b>Cylinder length (mm)</b>	Door thickness 19 mm (also available 22, 25, 28 and 32)



## Wooden furniture

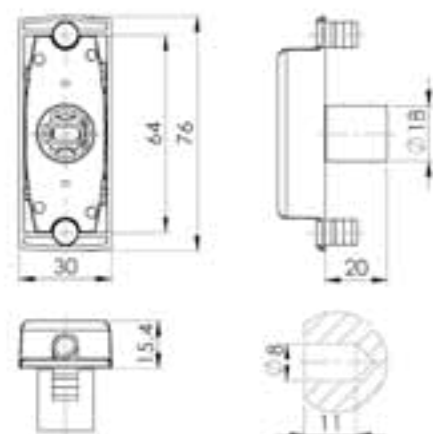
DSD4.00 | Espagnolette Lock | backset 0 mm



**Product description:** Design **espagnolette lock** for plugging, suitable for holding 6/5 mm profile espagnolettes.

**Ordering information:** Matching accessories for this product (e.g. hook to knock, cylinder cores and turn knobs) can be found in the corresponding sections.

<b>Backset</b>	without bolt
<b>finish</b>	nickel-plated
<b>material</b>	Die-cast
<b>Locking direction</b>	R / L
<b>Cylinder diameter (mm)</b>	18
<b>Cylinder length (mm)</b>	Door thickness 19 mm (also available 22, 25, 28 and 32)



## Wooden furniture

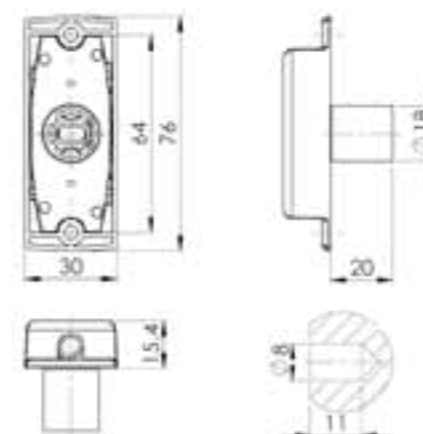
DSS4.00 | Espagnolette Lock | backset 0 mm



**Product description:** Design **espagnolette lock** for screwing on, suitable for holding 6/5 mm profile espagnolettes.

**Ordering information:** Matching accessories for this product (e.g. hook to knock, cylinder cores and turn knobs) can be found in the corresponding sections.

<b>Backset</b>	without bolt
<b>finish</b>	nickel-plated
<b>material</b>	Die-cast
<b>Locking direction</b>	R / L
<b>Cylinder diameter (mm)</b>	18
<b>Cylinder length (mm)</b>	Door thickness 19 mm (also available 22, 25, 28 and 32)



## Wooden furniture

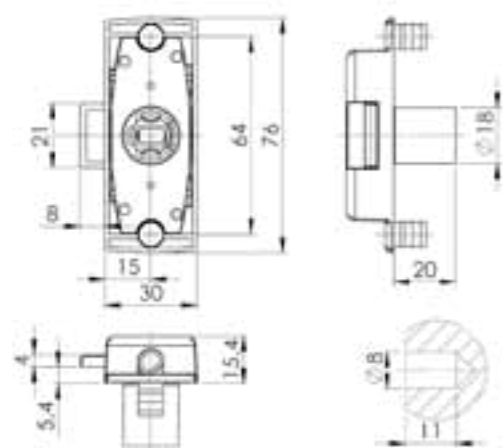
DSD4.15 | Espagnolette Lock | backset 15 mm



**Product description:** Design **espagnolette lock** for plugging, suitable for holding 6/5 mm profile espagnolettes.

**Ordering information:** Matching accessories for this product (e.g. hook to knock, cylinder cores and turn knobs) can be found in the corresponding sections.

<b>Backset</b>	15 mm
<b>finish</b>	nickel-plated
<b>material</b>	Die-cast
<b>Locking direction</b>	R / L
<b>Cylinder diameter (mm)</b>	18
<b>Cylinder length (mm)</b>	Door thickness 19 mm (also available 22, 25, 28 and 32)



## Wooden furniture

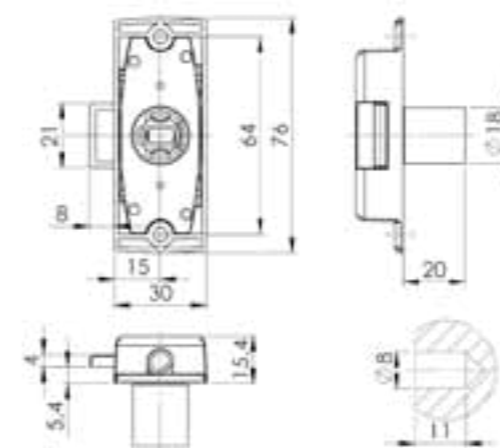
DSS4.15 | Espagnolette Lock | backset 15 mm



**Product description:** Design **espagnolette lock** for screwing on, suitable for holding 6/5 mm profile espagnolettes.

**Ordering information:** Matching accessories for this product (e.g. hook to knock, cylinder cores and turn knobs) can be found in the corresponding sections.

<b>Backset</b>	15 mm
<b>finish</b>	nickel-plated
<b>material</b>	Die-cast
<b>Locking direction</b>	R / L
<b>Cylinder diameter (mm)</b>	18
<b>Cylinder length (mm)</b>	Door thickness 19 mm (also available 22, 25, 28 and 32)



## Wooden furniture

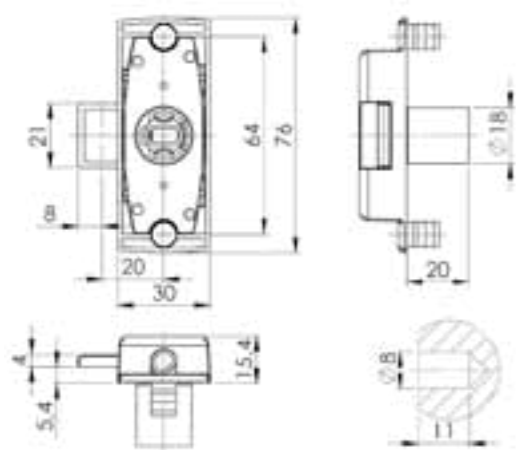
DSD4.20 | Espagnolette Lock | backset 20 mm



**Product description:** Design **espagnolette lock** for plugging, suitable for holding 6/5 mm profile espagnolettes.

**Ordering information:** Matching accessories for this product (e.g. hook to knock, cylinder cores and turn knobs) can be found in the corresponding sections.

<b>Backset</b>	20 mm
<b>finish</b>	nickel-plated
<b>material</b>	Die-cast
<b>Locking direction</b>	R / L
<b>Cylinder diameter (mm)</b>	18
<b>Cylinder length (mm)</b>	Door thickness 19 mm (also available 22, 25, 28 and 32)



## Wooden furniture

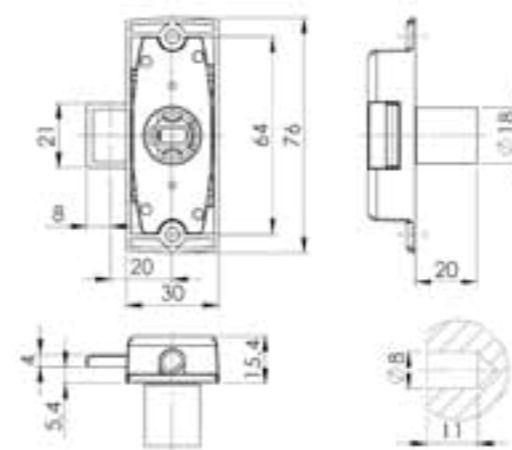
DSS4.20 | Espagnolette Lock | backset 20 mm



**Product description:** Design **espagnolette lock** for screwing on, suitable for holding 6/5 mm profile espagnolettes.

**Ordering information:** Matching accessories for this product (e.g. hook to knock, cylinder cores and turn knobs) can be found in the corresponding sections.

<b>Backset</b>	20 mm
<b>finish</b>	nickel-plated
<b>material</b>	Die-cast
<b>Locking direction</b>	R / L
<b>Cylinder diameter (mm)</b>	18
<b>Cylinder length (mm)</b>	Door thickness 19 mm (also available 22, 25, 28 and 32)



# Wooden furniture

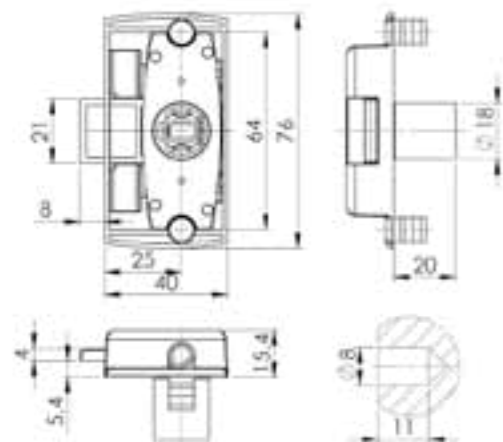
**DSD4.25** | Espagnolette Lock | backset 25 mm



**Product description:** Design **espagnolette lock** for plugging, suitable for holding 6/5 mm profile espagnolettes.

**Ordering information:** Matching accessories for this product (e.g. hook to knock, cylinder cores and turn knobs) can be found in the corresponding sections.

<b>Backset</b>	25 mm
<b>finish</b>	nickel-plated
<b>material</b>	Die-cast
<b>Locking direction</b>	R / L
<b>Cylinder diameter (mm)</b>	18
<b>Cylinder length (mm)</b>	Door thickness 19 mm (also available 22, 25, 28 and 32)



# Wooden furniture

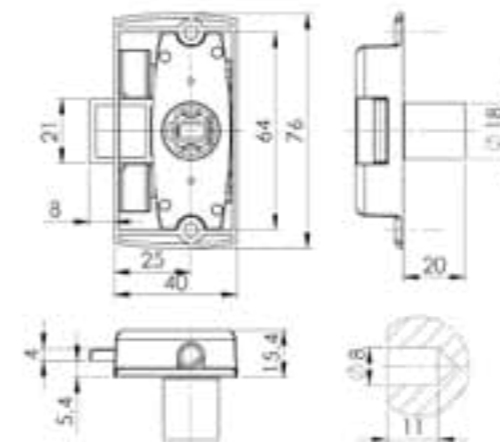
**DSS4.25** | Espagnolette Lock | backset 25 mm



**Product description:** Design **espagnolette lock** for screwing on, suitable for holding 6/5 mm profile espagnolettes.

**Ordering information:** Matching accessories for this product (e.g. hook to knock, cylinder cores and turn knobs) can be found in the corresponding sections.

<b>Backset</b>	25 mm
<b>finish</b>	nickel-plated
<b>material</b>	Die-cast
<b>Locking direction</b>	R / L
<b>Cylinder diameter (mm)</b>	18
<b>Cylinder length (mm)</b>	Door thickness 19 mm (also available 22, 25, 28 and 32)



## Wooden furniture

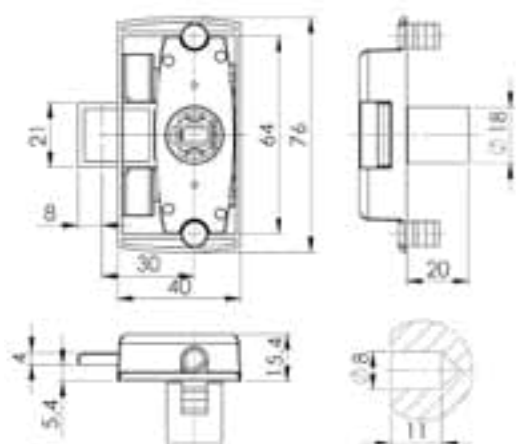
DSD4.30 | Espagnolette Lock | backset 30 mm



**Product description:** Design **espagnolette lock** for plugging, suitable for holding 6/5 mm profile espagnolettes.

**Ordering information:** Matching accessories for this product (e.g. hook to knock, cylinder cores and turn knobs) can be found in the corresponding sections.

<b>Backset</b>	30 mm
<b>finish</b>	nickel-plated
<b>material</b>	Die-cast
<b>Locking direction</b>	R / L
<b>Cylinder diameter (mm)</b>	18
<b>Cylinder length (mm)</b>	Door thickness 19 mm (also available 22, 25, 28 and 32)



## Wooden furniture

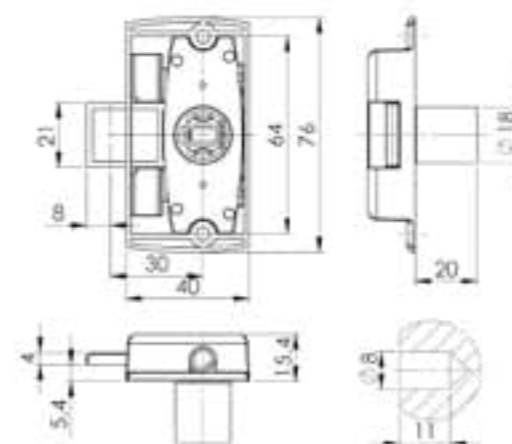
DSS4.30 | Espagnolette Lock | backset 30 mm



**Product description:** Design **espagnolette lock** for screwing on, suitable for holding 6/5 mm profile espagnolettes.

**Ordering information:** Matching accessories for this product (e.g. hook to knock, cylinder cores and turn knobs) can be found in the corresponding sections.

<b>Backset</b>	30 mm
<b>finish</b>	nickel-plated
<b>material</b>	Die-cast
<b>Locking direction</b>	R / L
<b>Cylinder diameter (mm)</b>	18
<b>Cylinder length (mm)</b>	Door thickness 19 mm (also available 22, 25, 28 and 32)



# Wooden furniture

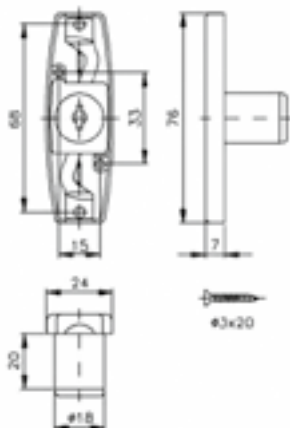
SS1 | Espagnolette Lock | backset 0 mm



**Product description:** Push-rod lock for screwing on, suitable for holding 10/3 mm half-round rods. The lock can be used to the right or as a drawer lock.

**Ordering information:** Matching accessories for this product (e.g. striker plates, hook to knock, cylinder cores and turn knobs) can be found in the corresponding sections.

<b>material</b>	Die-cast
<b>finish</b>	nickel-plated
<b>Locking direction</b>	R / laD
<b>locking movements</b>	90°
<b>Cylinder diameter (mm)</b>	18 mm
<b>Cylinder length (mm)</b>	Door thickness 19 mm (also available 22, 25, 28 and 32)



## Screw-on locks



# Wooden furniture

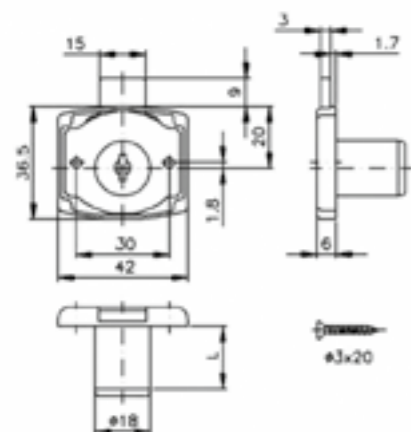
**AS1.20.D** | Screw on Lock | backset 20 mm



**Product description:** Lightweight **screw on lock** with small case and 2-point fixing.

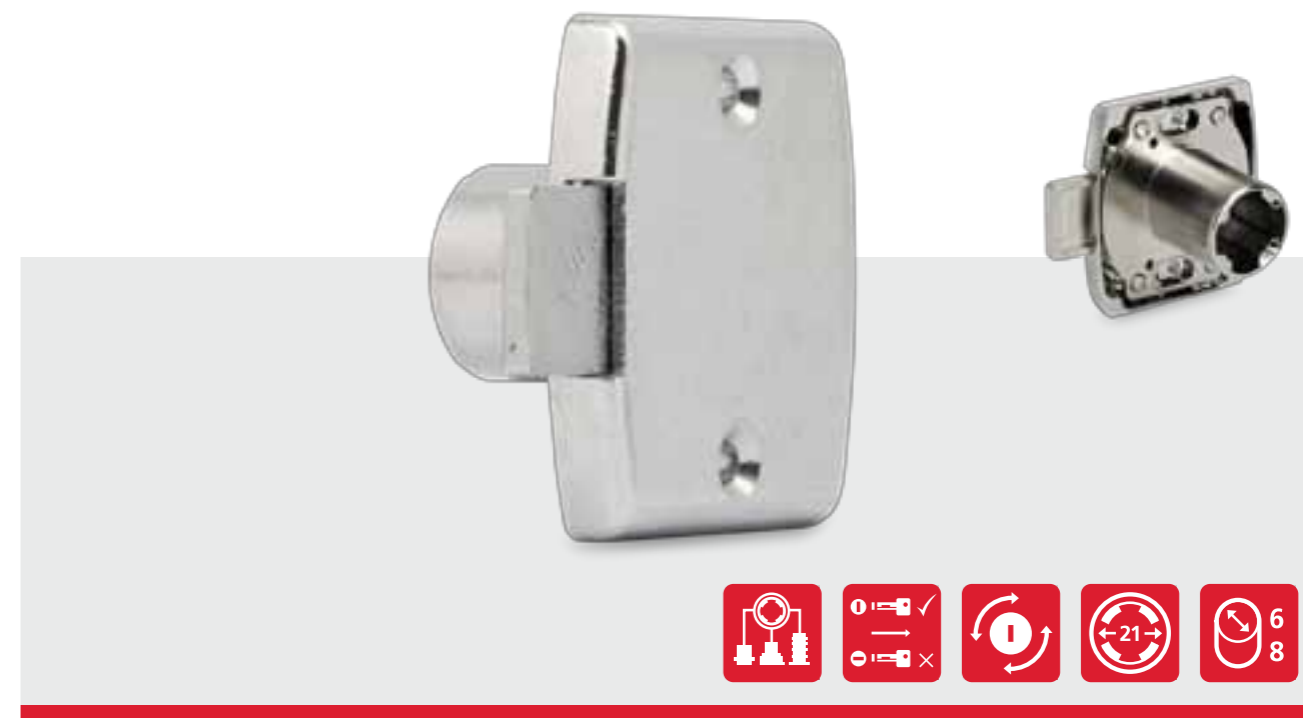
**Ordering information:** Matching accessories for this product (e.g. striker plates, cylinder cores and turn knobs) can be found in the corresponding sections.

<b>Backset</b>	20 mm
<b>material</b>	Die-cast
<b>finish</b>	nickel-plated
<b>Locking direction</b>	Drawer use
<b>locking movements</b>	90°
<b>Cylinder diameter (mm)</b>	18 mm
<b>Cylinder length (mm)</b>	Door thickness 19 mm (also available 22, 25, 28 and 32)



# Wooden furniture

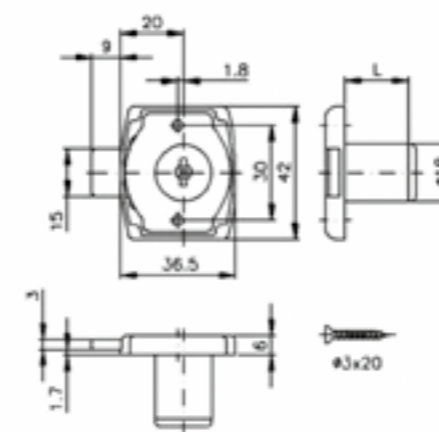
**AS1.20.X** | Screw on Lock | backset 20 mm



**Product description:** Lightweight **screw on lock** with small case and 2-point fixing.

**Ordering information:** Matching accessories for this product (e.g. striker plates, cylinder cores and turn knobs) can be found in the corresponding sections.

<b>Backset</b>	20 mm
<b>material</b>	Die-cast
<b>finish</b>	nickel-plated, gold-plated
<b>Locking direction</b>	R / L
<b>locking movements</b>	90°
<b>Cylinder diameter (mm)</b>	18 mm
<b>Cylinder length (mm)</b>	Door thickness 19 mm (also available 22, 25, 28 and 32)



# Wooden furniture

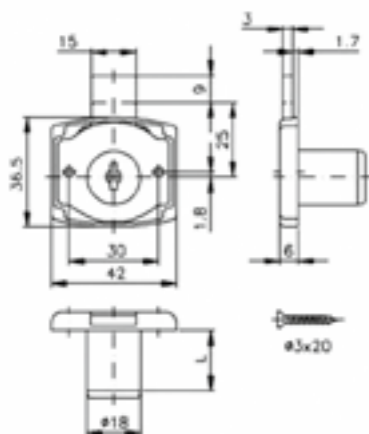
**AS1.25.D** | Screw on Lock | backset 25 mm



**Product description:** Small **screw on lock** with standard case and 4-point fixing.

**Ordering information:** Matching accessories for this product (e.g. striker plates, cylinder cores and turn knobs) can be found in the corresponding sections.

<b>Backset</b>	25 mm
<b>material</b>	Die-cast
<b>finish</b>	nickel-plated
<b>Locking direction</b>	Drawer use
<b>locking movements</b>	90°
<b>Cylinder diameter (mm)</b>	18 mm
<b>Cylinder length (mm)</b>	Door thickness 19 mm (also available 22, 25, 28 and 32)



# Wooden furniture

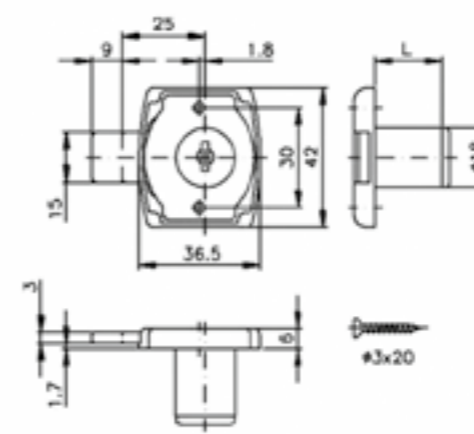
**AS1.25.X** | Screw on Lock | backset 25 mm



**Product description:** Lightweight **screw on lock** with small case and 2-point fixing.

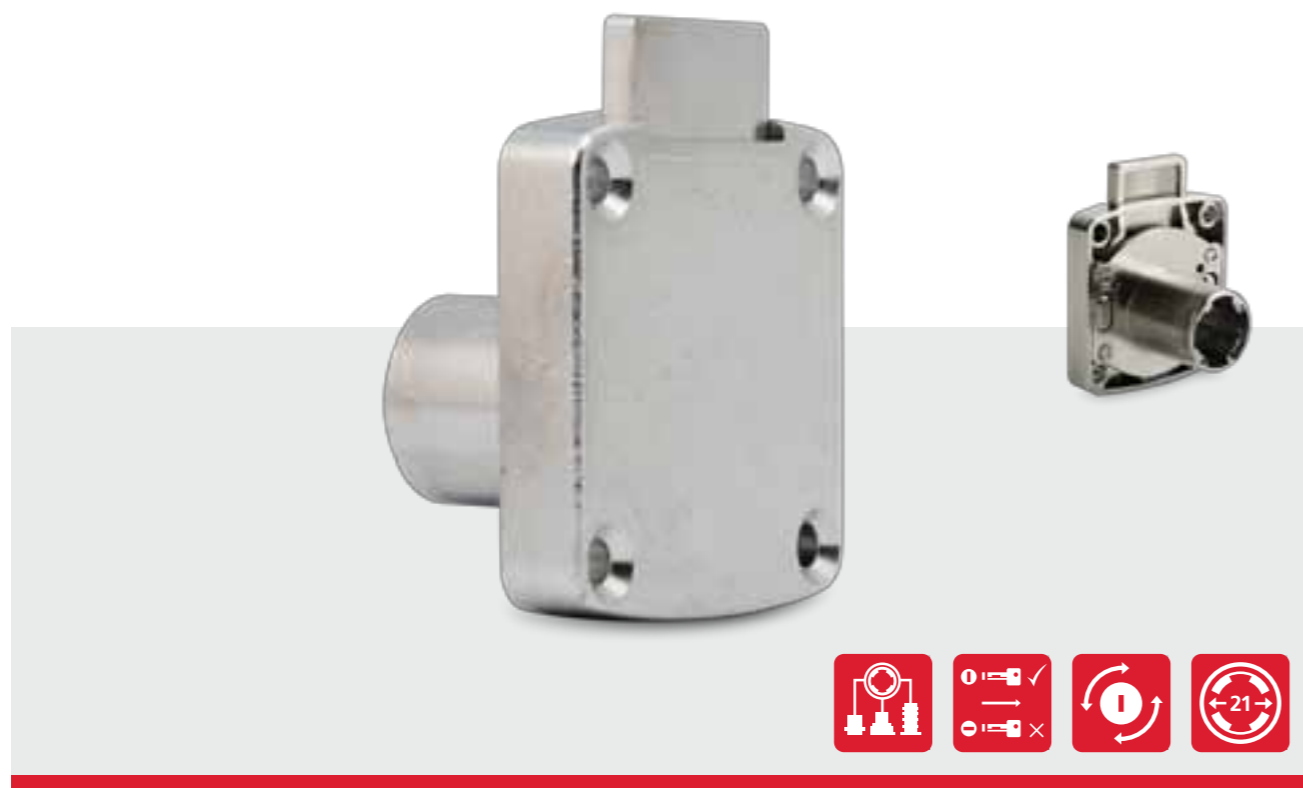
**Ordering information:** Matching accessories for this product (e.g. striker plates, cylinder cores and turn knobs) can be found in the corresponding sections.

<b>Backset</b>	25 mm
<b>material</b>	Die-cast
<b>finish</b>	nickel-plated, gold-plated
<b>Locking direction</b>	R / L
<b>locking movements</b>	90°
<b>Cylinder diameter (mm)</b>	18 mm
<b>Cylinder length (mm)</b>	Door thickness 19 mm (also available 22, 25, 28 and 32)



# Wooden furniture

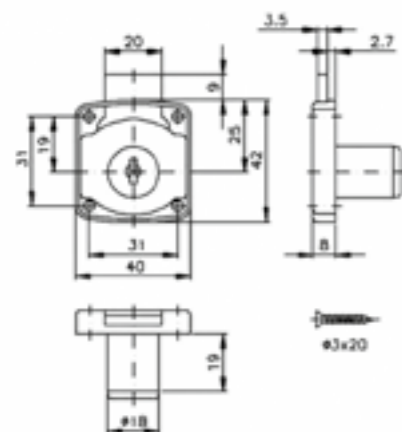
**AS2.25.D** | Screw on Lock | backset 25 mm



**Product description:** Small screw on lock with standard case and 4-point fixing.

**Ordering information:** Matching accessories for this product (e.g. striker plates, cylinder cores and turn knobs) can be found in the corresponding sections.

<b>Backset</b>	25 mm
<b>material</b>	Die-cast
<b>finish</b>	nickel-plated
<b>Locking direction</b>	Drawer use
<b>locking movements</b>	90°
<b>Cylinder diameter (mm)</b>	18 mm
<b>Cylinder length (mm)</b>	Door thickness 19 mm (also available 22, 25, 28 and 32)



# Wooden furniture

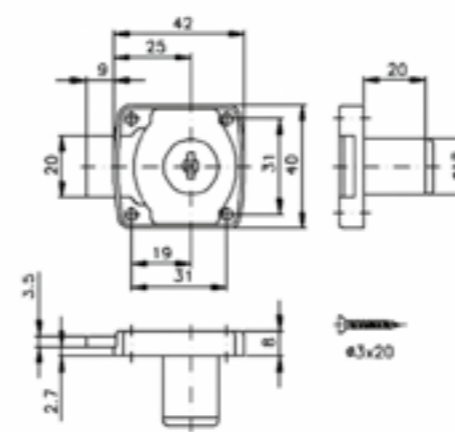
**AS2.25.X** | Screw on Lock | backset 25 mm



**Product description:** Small screw on lock with standard case and 4-point fixing.

**Ordering information:** Matching accessories for this product (e.g. striker plates, cylinder cores and turn knobs) can be found in the corresponding sections.

<b>Backset</b>	25 mm
<b>material</b>	Die-cast
<b>finish</b>	nickel-plated, gold-plated
<b>Locking direction</b>	R / L
<b>locking movements</b>	90°
<b>Cylinder diameter (mm)</b>	18 mm
<b>Cylinder length (mm)</b>	Door thickness 19 mm (also available 22, 25, 28 and 32)



Information

1

2

3

4

5

6

7

8

9

10

11

12

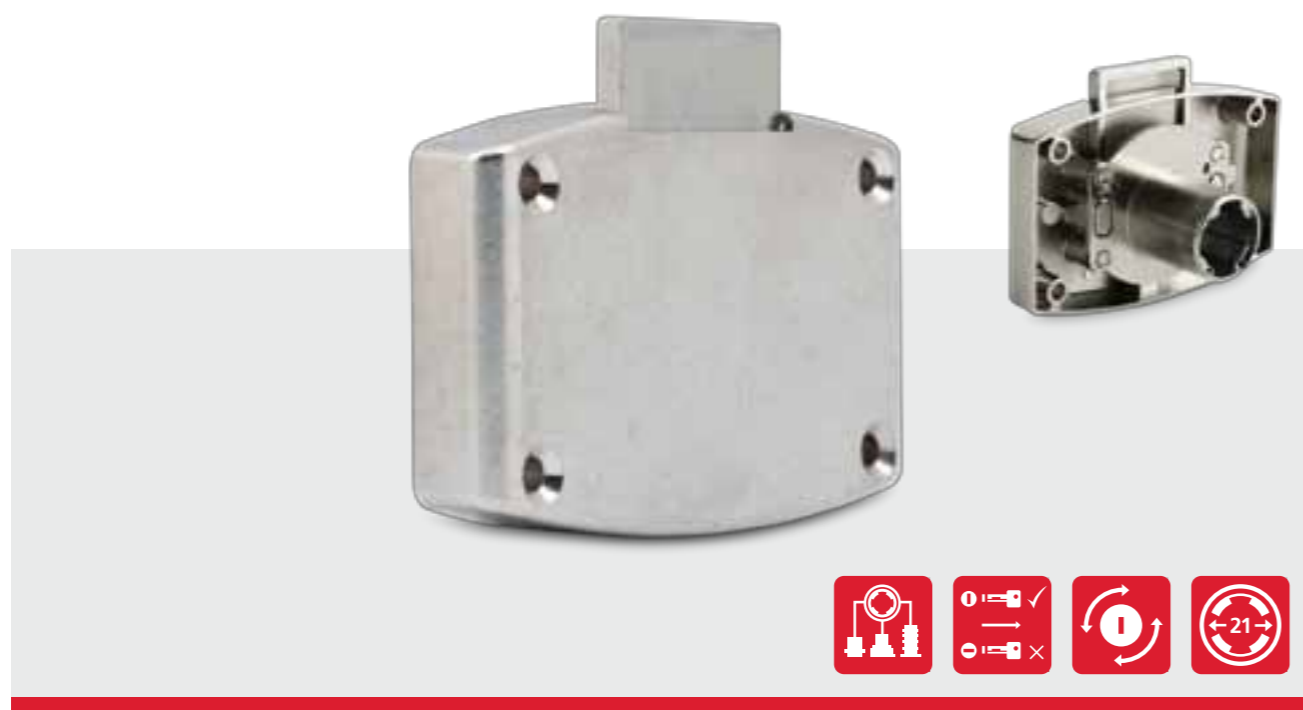
13

14

15

# Wooden furniture

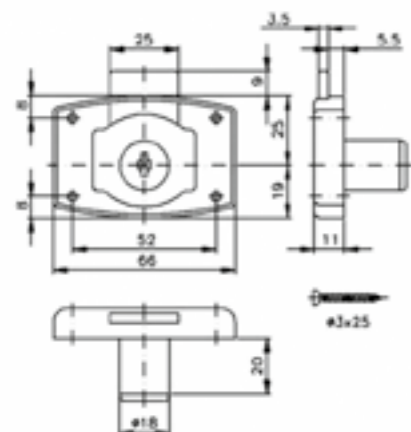
**AS3.25.D** | Screw on Lock | backset 25 mm



**Product description:** Heavy-duty screw on lock with large case and 4-point fixing.

**Ordering information:** Matching accessories for this product (e.g. striker plates, cylinder cores and turn knobs) can be found in the corresponding sections.

<b>Backset</b>	25 mm
<b>material</b>	Die-cast
<b>finish</b>	nickel-plated
<b>Locking direction</b>	Drawer use
<b>locking movements</b>	90°
<b>Cylinder diameter (mm)</b>	18 mm
<b>Cylinder length (mm)</b>	Door thickness 19 mm (also available 22, 25, 28 and 32)



# Wooden furniture

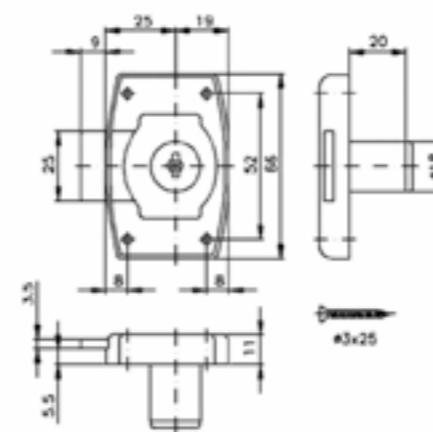
**AS3.25.X** | Screw on Lock | backset 25 mm



**Product description:** Heavy-duty screw on lock with large case and 4-point fixing.

**Ordering information:** Matching accessories for this product (e.g. striker plates, cylinder cores and turn knobs) can be found in the corresponding sections.

<b>Backset</b>	25 mm
<b>material</b>	Die-cast
<b>finish</b>	nickel-plated, gold-plated
<b>Locking direction</b>	R / L
<b>locking movements</b>	90°
<b>Cylinder diameter (mm)</b>	18 mm
<b>Cylinder length (mm)</b>	Door thickness 19 mm (also available 22, 25, 28 and 32)



Information

1

2

3

4

5

6

7

8

9

10

11

12

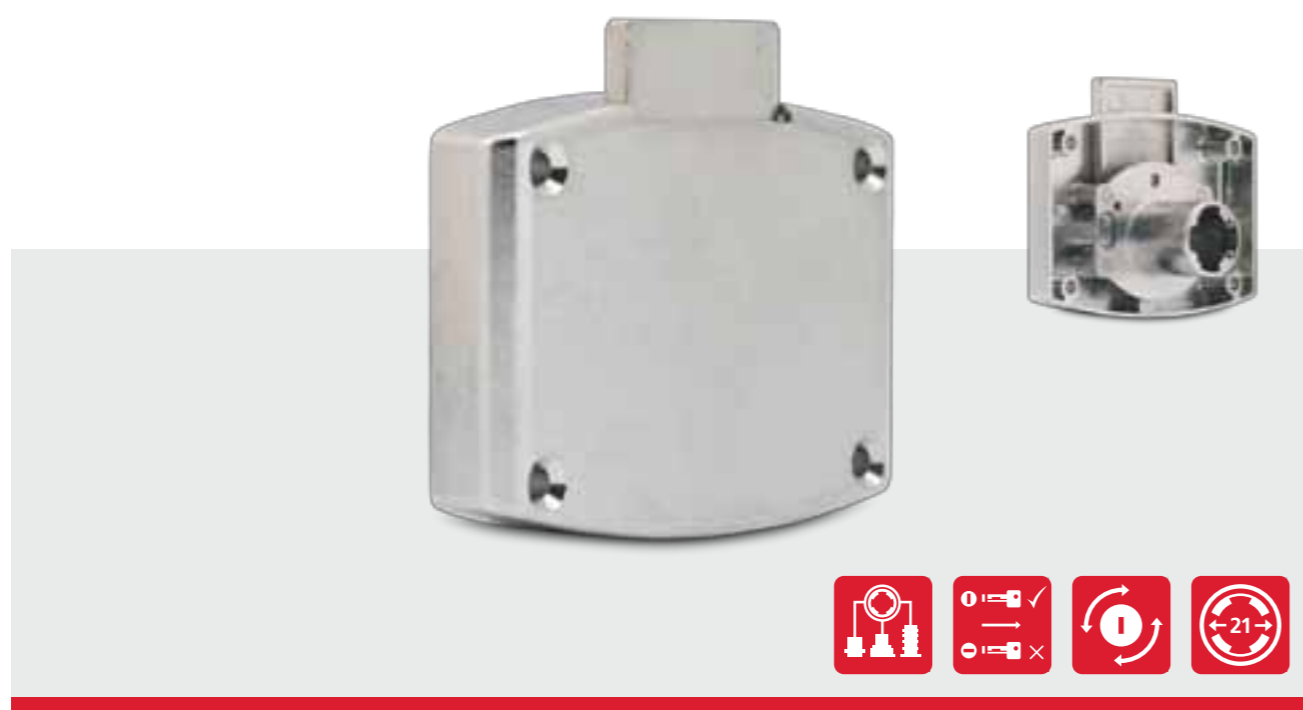
13

14

15

## Wooden furniture

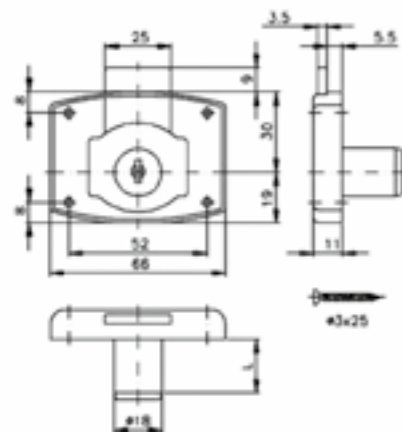
AS3.30.D | Screw on Lock | backset 30 mm



**Product description:** Heavy-duty screw on lock with large case and 4-point fixing.

**Ordering information:** Matching accessories for this product (e.g. striker plates, cylinder cores and turn knobs) can be found in the corresponding sections.

Backset	30 mm
material	Die-cast
finish	nickel-plated
Locking direction	Drawer use
locking movements	90°
Cylinder diameter (mm)	18 mm
Cylinder length (mm)	Door thickness 19 mm (also available 22, 25, 28 and 32)



## Wooden furniture

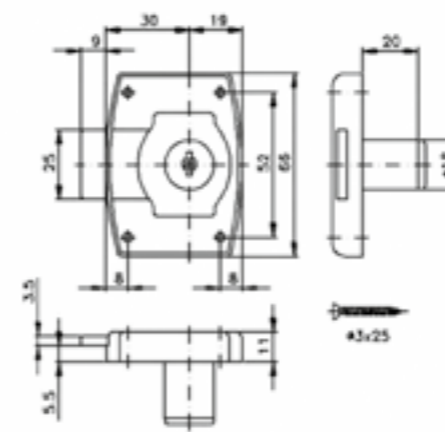
AS3.30.X | Screw on Lock | backset 30 mm



**Product description:** Heavy-duty screw on lock with large case and 4-point fixing.

**Ordering information:** Matching accessories for this product (e.g. striker plates, cylinder cores and turn knobs) can be found in the corresponding sections.

Backset	30 mm
material	Die-cast
finish	nickel-plated, gold-plated
Locking direction	R / L
locking movements	90°
Cylinder diameter (mm)	18 mm
Cylinder length (mm)	Door thickness 19 mm (also available 22, 25, 28 and 32)



Information

1

2

3

4

5

6

7

8

9

10

11

12

13

14

15

# Wooden furniture

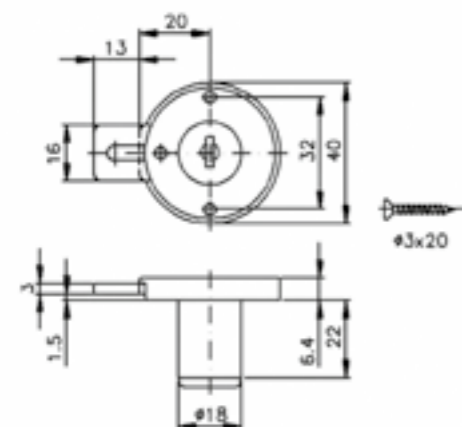
**AS4.201.R** | Screw on Lock | backset 20 mm



**Product description:** Round **screw on lock** with straight cam, cam connection 1 mm, 20 mm backset.

**Ordering information:** The lock is available in left and drawer versions, please specify separately. Other cranks and backsets available by request.

<b>Backset</b>	20 mm
<b>material</b>	Die-cast
<b>finish</b>	nickel-plated
<b>Locking direction</b>	right
<b>Cylinder diameter (mm)</b>	18 mm
<b>Cylinder length (mm)</b>	Door thickness 19 mm (also available 22, 25, 28 and 32)



# Wooden furniture

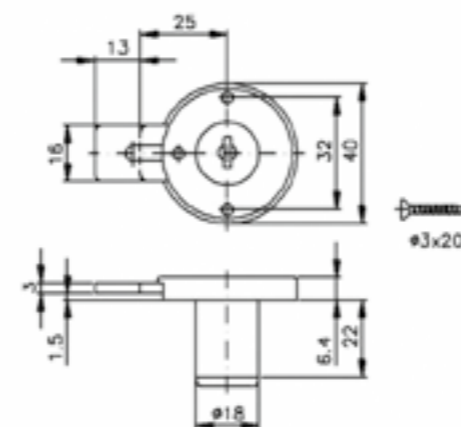
**AS4.251.R** | Screw on Lock | backset 25 mm



**Product description:** Round **screw on lock** with straight cam, cam connection 1 mm, 25mm backset.

**Ordering information:** The lock is available in left and drawer versions, please specify separately. Other cranks and backsets available by request.

<b>Backset</b>	25 mm
<b>material</b>	Die-cast
<b>finish</b>	nickel-plated
<b>Locking direction</b>	right
<b>Cylinder diameter (mm)</b>	18 mm
<b>Cylinder length (mm)</b>	Door thickness 19 mm (also available 22, 25, 28 and 32)



Information  
1  
2  
3  
4  
5  
6  
7  
8  
9  
10  
11  
12  
13  
14  
15

# Wooden furniture

**AS4.301.R** | Screw on Lock | backset 30 mm



**Product description:** Round **screw on lock** with straight cam, **cam connection 1 mm**, 30 mm backset.

**Ordering information:** The lock is available in left and drawer versions, please specify separately. Other cranks and backsets available by request.

<b>Backset</b>	30 mm
<b>material</b>	Die-cast
<b>finish</b>	nickel-plated
<b>Locking direction</b>	right
<b>Cylinder diameter (mm)</b>	18 mm
<b>Cylinder length (mm)</b>	Door thickness 19 mm (also available 22, 25, 28 and 32)

# Wooden furniture

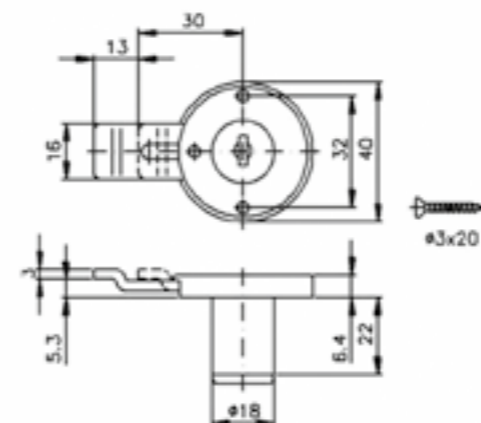
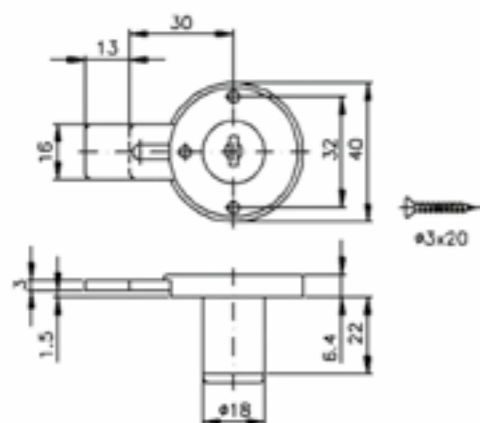
**AS4.305.R** | Screw on Lock | backset 30 mm



**Product description:** Round **screw on lock** with cranked cam, **cam connection 5 mm**, 30 mm backset.

**Ordering information:** The lock is available in left and drawer versions, please specify separately. Other cranks and backsets available by request.

<b>Backset</b>	30 mm
<b>material</b>	Die-cast
<b>finish</b>	nickel-plated
<b>Locking direction</b>	right
<b>Cylinder diameter (mm)</b>	18 mm
<b>Cylinder length (mm)</b>	Door thickness 19 mm (also available 22, 25, 28 and 32)



# Wooden furniture

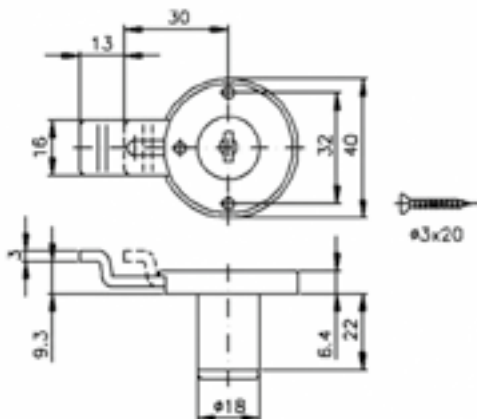
AS4.309.R | Screw on Lock | backset 30 mm



**Product description:** Round **screw on lock** with cranked cam, **cam connection 9mm**, 30 mm backset.

**Ordering information:** The lock is available in left and drawer versions, please specify separately. Other cranks and backsets available by request.

<b>Backset</b>	30 mm
<b>material</b>	Die-cast
<b>finish</b>	nickel-plated
<b>Locking direction</b>	right
<b>Cylinder diameter (mm)</b>	18 mm
<b>Cylinder length (mm)</b>	Door thickness 19 mm (also available 22, 25, 28 and 32)



## Glass door locks



# Glass furniture

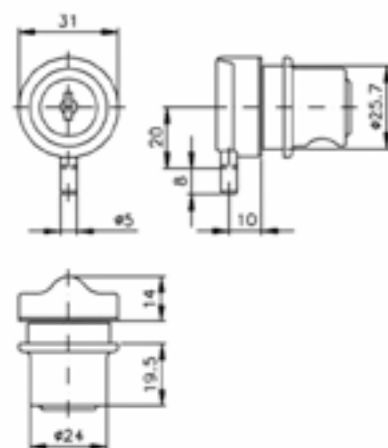
GFT1.1 | Special Lock



**Product description:** Knob cylinder for **glass leaf door**, one-sided. This knob cylinder can be used for all locking directions (drawer downwards, drawer upwards, right, left) and for 6 mm and 8 mm thick glass doors.

**Ordering information:** Cylinder core **not** included with item, please order separately. Matching accessories (e.g. striker plates and cylinder cores) can be found in the corresponding sections.

<b>material</b>	Die-cast
<b>finish</b>	brilliance nickel-plated, gold-plated
<b>Locking direction</b>	R / L / laD



# Glass furniture

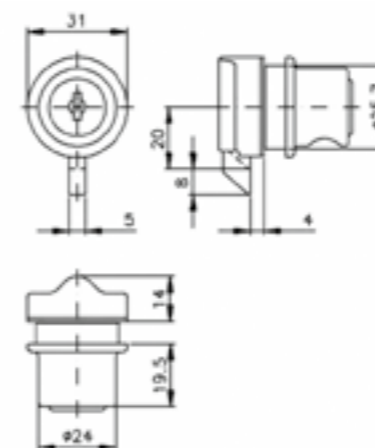
GFT2.1 | Special Lock



**Product description:** Knob cylinder for **glass leaf door**, one-sided, **with resilient latch bolt**. This knob cylinder can be used for 6 mm and 8 mm thick glass doors.

**Ordering information:** Cylinder core **not** included with item, please order separately. Matching accessories (e.g. striker plates and cylinder cores) can be found in the corresponding sections.

<b>material</b>	Die-cast
<b>finish</b>	brilliance nickel-plated, gold-plated
<b>Locking direction</b>	R / L / laD



Information

1

2

3

4

5

6

7

8

9

10

11

12

13

14

15

# Glass furniture

GFT3.1 | Special Lock



**Product description:** Knob cylinder for **double leaf glass doors** including stop plate. This knob cylinder can be used for all locking directions (drawer downwards, drawer upwards, right, left) and for 6 mm and 8 mm thick glass doors.

**Ordering information:** Cylinder core **not** included with item, please order separately. Matching accessories (e.g. striker plates and cylinder cores) can be found in the corresponding sections.

<b>material</b>	Die-cast
<b>finish</b>	brilliance nickel-plated, gold-plated
<b>Locking direction</b>	R / L / laD

# Glass furniture

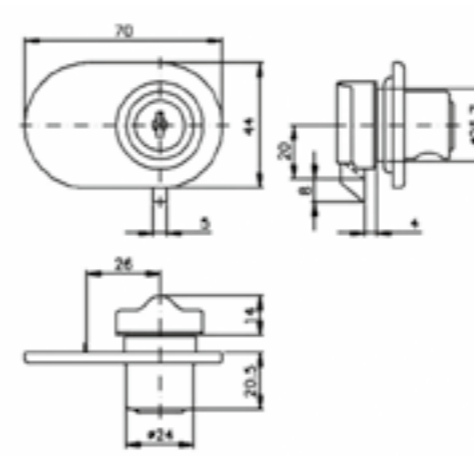
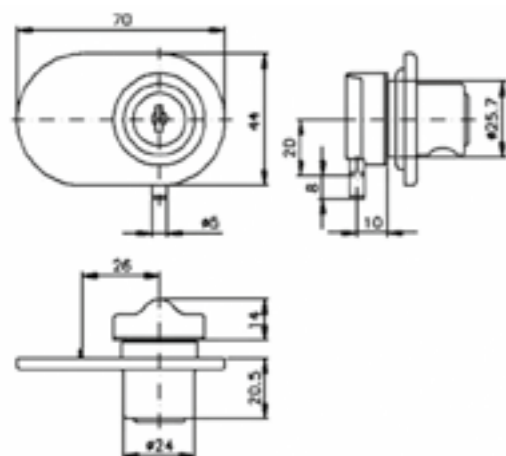
GFT4.1 | Special Lock



**Product description:** Knob cylinder for **double leaf glass door, with resilient latch bolt**. This knob cylinder can be used for 6 mm and 8 mm thick glass doors.

**Ordering information:** Cylinder core **not** included with item, please order separately. Matching accessories (e.g. striker plates and cylinder cores) can be found in the corresponding sections.

<b>material</b>	Die-cast
<b>finish</b>	brilliance nickel-plated, gold-plated
<b>Locking direction</b>	R / L / laD



# Glass furniture

HZM1.1 | Special Lock



**Product description:** Cam cylinder for **single leaf** glass doors including stop plate. For glass thicknesses up to 8 mm, including nuts and washers.

**Ordering information:** Cylinder core **not** included with item, please order separately. Matching accessories (e.g. striker plates and cylinder cores) can be found in the corresponding sections.

<b>Backset</b>	25 mm
<b>material</b>	Die-cast
<b>finish</b>	brilliance nickel-plated
<b>Locking direction</b>	R / L / laD
<b>cam type</b>	type A

# Glass furniture

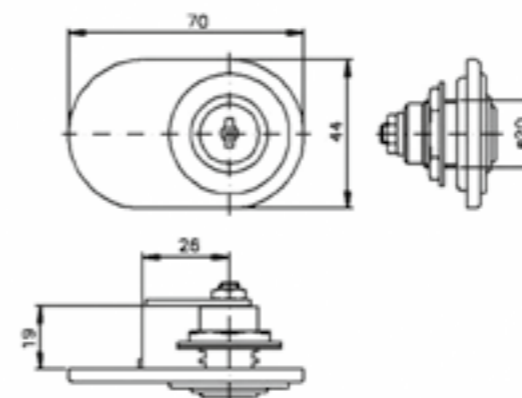
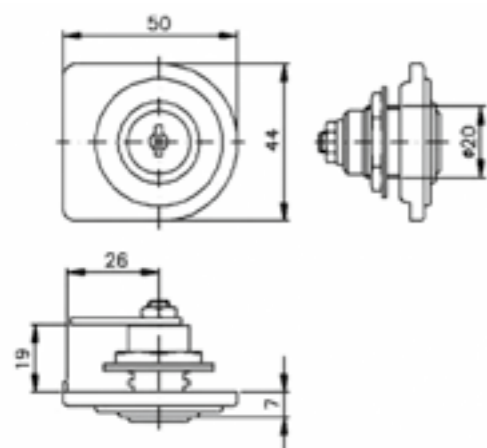
HZM2.1 | Special Lock



**Product description:** Cam cylinder for **double leaf** glass doors including stop plate. For glass thicknesses up to 8 mm, including nuts and washers.

**Ordering information:** Cylinder core **not** included with item, please order separately. Matching accessories (e.g. striker plates and cylinder cores) can be found in the corresponding sections.

<b>Backset</b>	25 mm
<b>material</b>	Die-cast
<b>finish</b>	brilliance nickel-plated
<b>Locking direction</b>	R / L / laD
<b>cam type</b>	type A



# Glass furniture

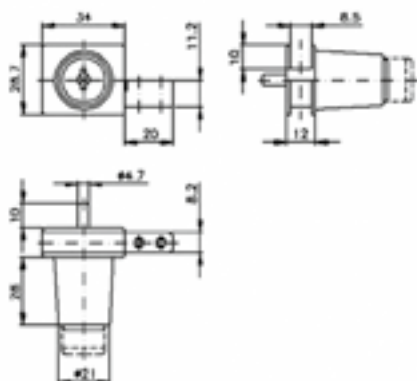
## GST.4 | Special Lock



**Product description:** Track cylinder for sliding doors. This lock can be used for right or left assembly in the aluminium profile end.

**Ordering information:** Cylinder core **not** included with item, please order separately. Matching accessories (e.g. striker plates and cylinder cores) can be found in the corresponding sections.

<b>material</b>	Die-cast
<b>finish</b>	matt chrome-plated
<b>Locking direction</b>	R / L



## Central locks



# Wooden furniture

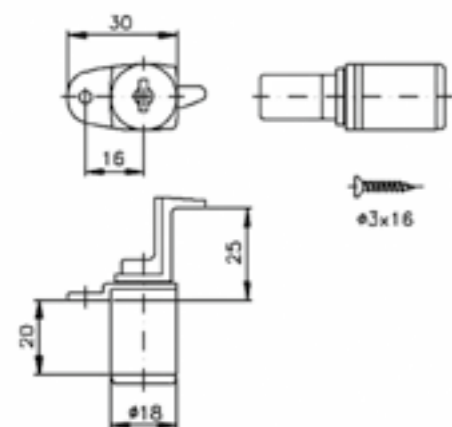
ZVZ1.HE | Pedestal Lock



**Product description:** Pedestal lock cylinder with single-sided flange, compatible with Hettich locking systems.

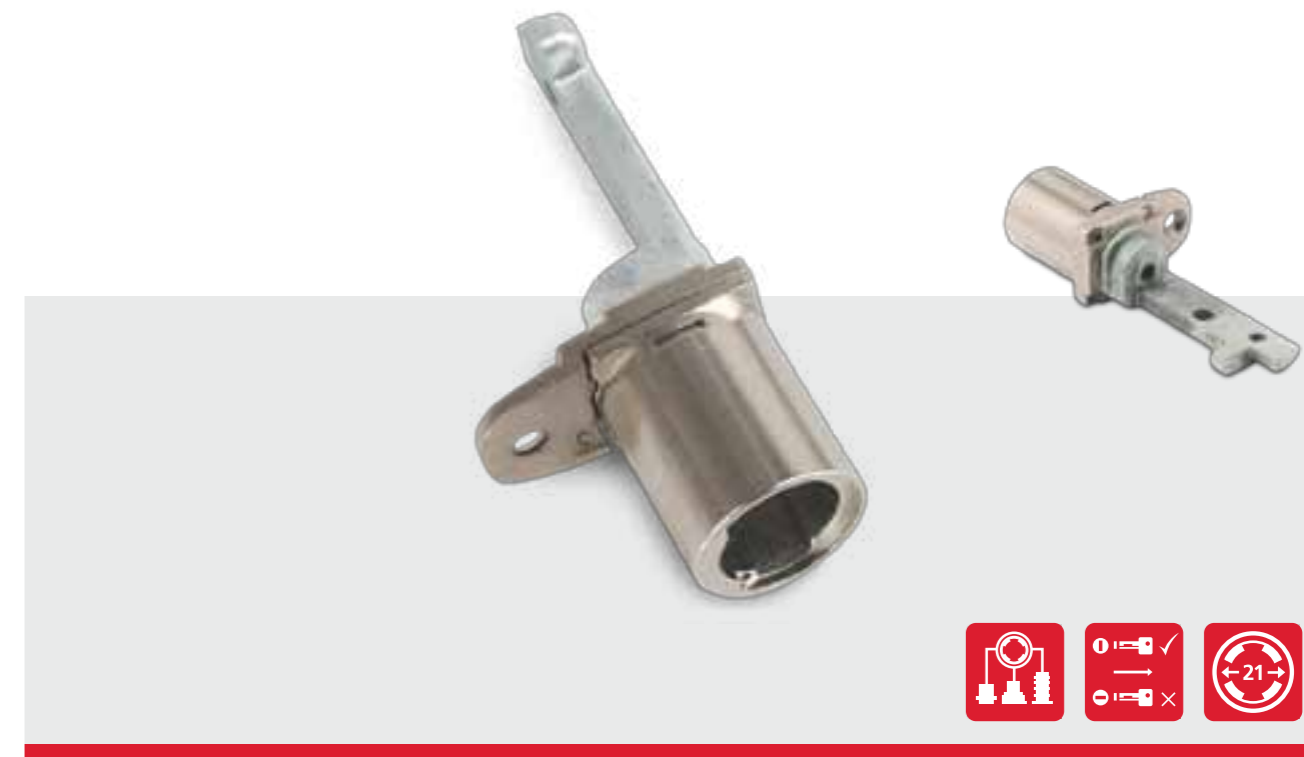
**Ordering information:** Matching accessories can be found in the corresponding sections.

<b>material</b>	Die-cast
<b>finish</b>	nickel-plated
<b>Locking direction</b>	Drawer use
<b>Cylinder diameter (mm)</b>	18



# Wooden furniture

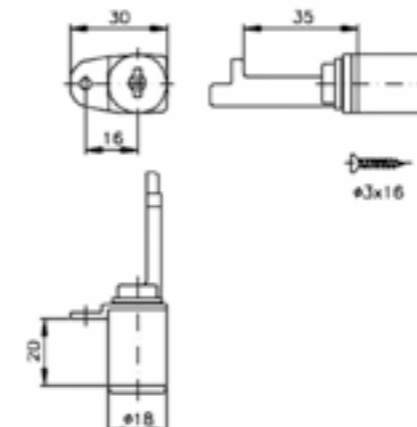
ZVZ1.MM | Pedestal Lock



**Product description:** Pedestal lock cylinder with single-sided flange, compatible with Huwil SVS3/Merz-Roller systems.

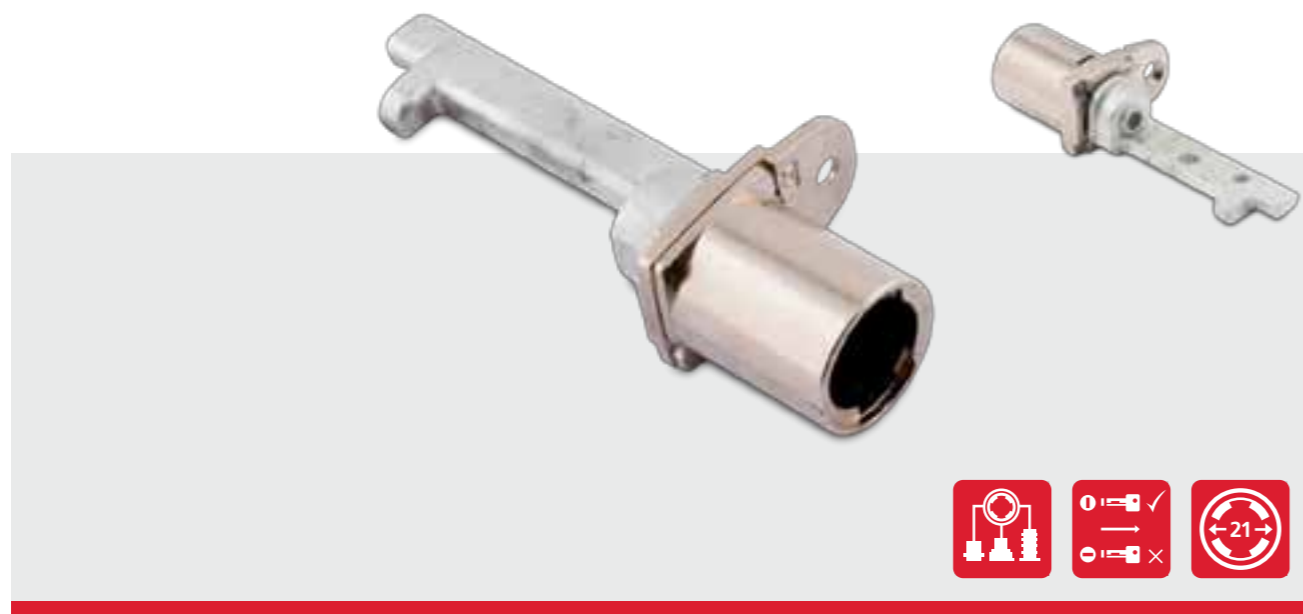
**Ordering information:** Matching accessories can be found in the corresponding sections.

<b>material</b>	Die-cast
<b>finish</b>	nickel-plated
<b>Locking direction</b>	Drawer use
<b>Cylinder diameter (mm)</b>	18



# Wooden furniture

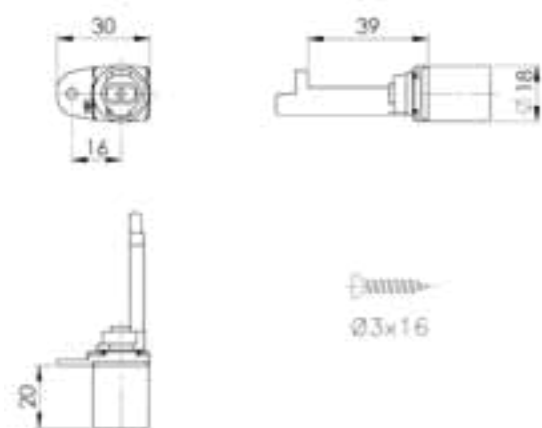
ZVZ1.MR | Pedestal Lock



**Product description:** Pedestal lock cylinder with single-sided flange, compatible with Merz-Roller systems.

**Ordering information:** Matching accessories can be found in the corresponding sections.

<b>finish</b>	nickel-plated
<b>material</b>	Die-cast
<b>Locking direction</b>	Drawer use
<b>Cylinder diameter (mm)</b>	18



# Wooden furniture

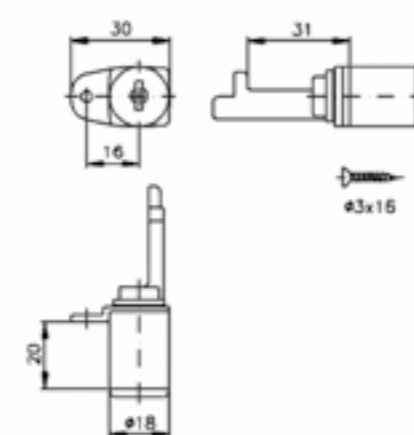
ZVZ1.PG | Pedestal Lock



**Product description:** Pedestal lock cylinder with single-sided flange, compatible with Fulterer/Pegasus-Set.

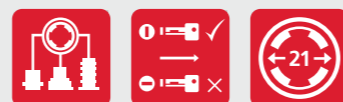
**Ordering information:** Matching accessories can be found in the corresponding sections.

<b>material</b>	Die-cast
<b>finish</b>	nickel-plated
<b>Locking direction</b>	Drawer use
<b>Cylinder diameter (mm)</b>	18



# Wooden furniture

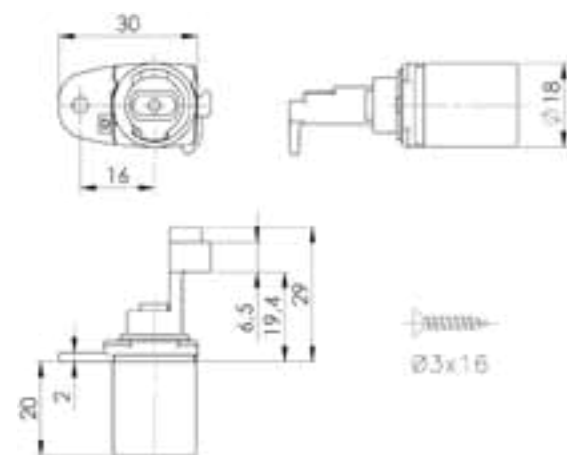
ZVZ1.X24 | Pedestal Lock



**Product description:** Pedestal lock cylinder with single-sided flange.

**Ordering information:** Matching accessories can be found in the corresponding sections.

<b>finish</b>	nickel-plated
<b>material</b>	Die-cast
<b>Locking direction</b>	Drawer use
<b>Cylinder diameter (mm)</b>	18



# Wooden furniture

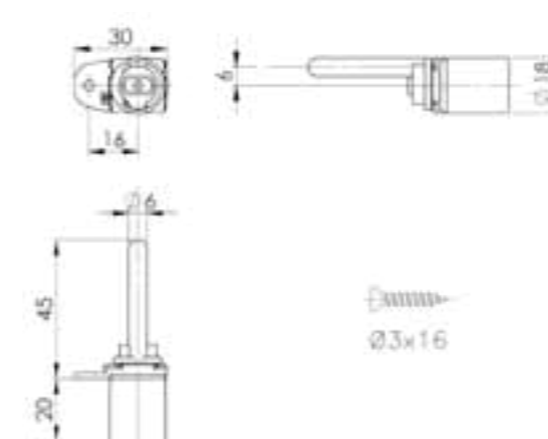
ZVZ1.40 | Pedestal Lock



**Product description:** Pedestal lock cylinder with single-sided flange.

**Ordering information:** Matching accessories can be found in the corresponding sections.

<b>finish</b>	nickel-plated
<b>material</b>	Die-cast
<b>Locking direction</b>	Drawer use
<b>Cylinder diameter (mm)</b>	18



# Wooden furniture

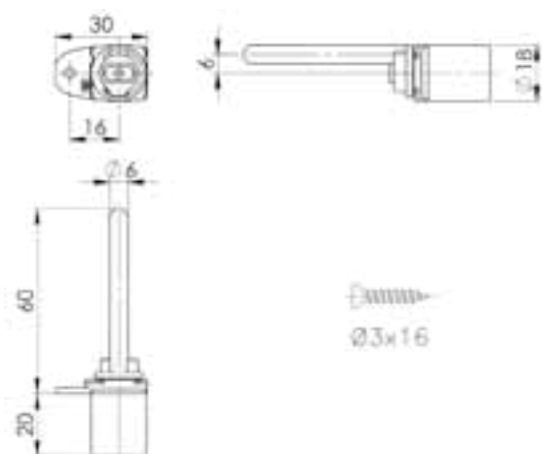
ZVZ1.55 | Pedestal Lock



**Product description:** Pedestal lock cylinder with single-sided flange.

**Ordering information:** Matching accessories can be found in the corresponding sections.

<b>finish</b>	nickel-plated
<b>material</b>	Die-cast
<b>Locking direction</b>	Drawer use
<b>Cylinder diameter (mm)</b>	18



# Wooden furniture

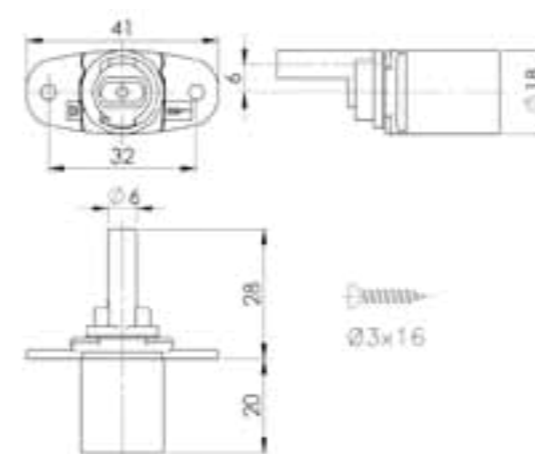
ZVZ2.23 | Pedestal Lock



**Product description:** Pedestal lock cylinder with double-sided flange.

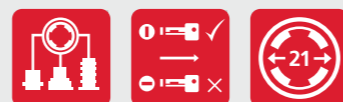
**Ordering information:** Matching accessories can be found in the corresponding sections.

<b>finish</b>	nickel-plated
<b>material</b>	Die-cast
<b>Locking direction</b>	Drawer use
<b>Cylinder diameter (mm)</b>	18



# Wooden furniture

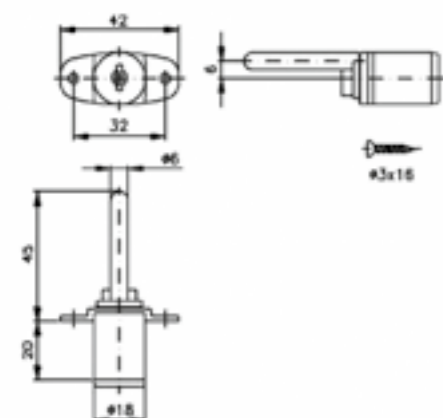
ZVZ2.40 | Pedestal Lock



**Product description:** Pedestal lock cylinder with double-sided flange, eccentric length 40 mm. Compatible with lock bars with driving bolts.

**Ordering information:** Matching accessories can be found in the corresponding sections. Lock bars available in different versions by request.

<b>material</b>	Die-cast
<b>finish</b>	nickel-plated
<b>Locking direction</b>	Drawer use
<b>Cylinder diameter (mm)</b>	18



# Wooden furniture

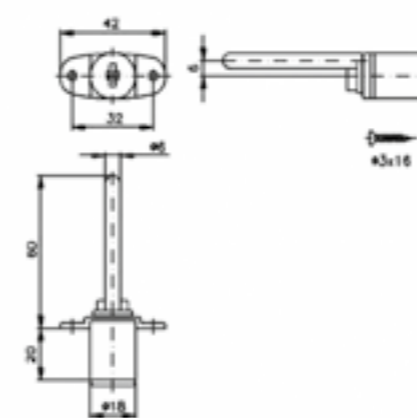
ZVZ2.55 | Pedestal Lock



**Product description:** Pedestal lock cylinder with double-sided flange, eccentric length 55 mm. Compatible with lock bars with driving bolts.

**Ordering information:** Matching accessories can be found in the corresponding sections. Lock bars available in different versions by request.

<b>material</b>	Die-cast
<b>finish</b>	nickel-plated
<b>Locking direction</b>	Drawer use
<b>Cylinder diameter (mm)</b>	18



# Wooden furniture

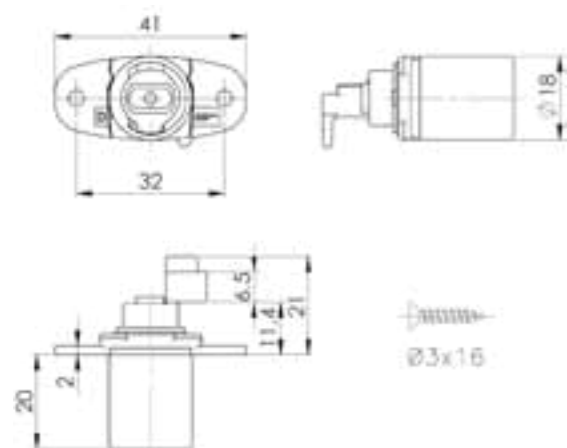
ZV22.X16 | Pedestal Lock



**Product description:** Pedestal lock cylinder with double-sided flange.

**Ordering information:** Matching accessories can be found in the corresponding sections.

<b>finish</b>	nickel-plated
<b>material</b>	Die-cast
<b>Locking direction</b>	Drawer use
<b>Cylinder diameter (mm)</b>	18



# Wooden furniture

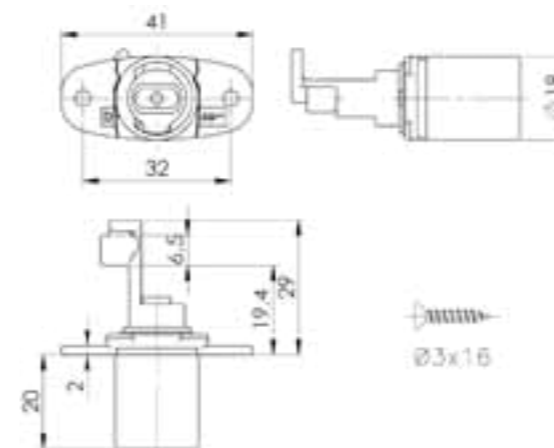
ZV22.X24 | Pedestal Lock



**Product description:** Pedestal lock cylinder with double-sided flange.

**Ordering information:** Matching accessories can be found in the corresponding sections.

<b>finish</b>	nickel-plated
<b>material</b>	Die-cast
<b>Locking direction</b>	Drawer use
<b>Cylinder diameter (mm)</b>	18



Information

1

2

3

4

5

6

7

8

9

10

11

12

13

14

15



## Special locks



# Wooden furniture

## RJS1 | Special Lock



**Product description:** Plug-in roller shutter lock, right/left. The backset can be adjusted to between 15 mm and 22 mm to suit the installation.

**Ordering information:** Striker plate included with delivery. Matching accessories (e.g. rosettes, cylinder cores, etc.) can be found in the corresponding sections.

<b>Backset</b>	15-22 mm
<b>material</b>	Die-cast
<b>finish</b>	nickel-plated
<b>Locking direction</b>	R / L
<b>Cylinder diameter (mm)</b>	18 mm

# Wooden furniture

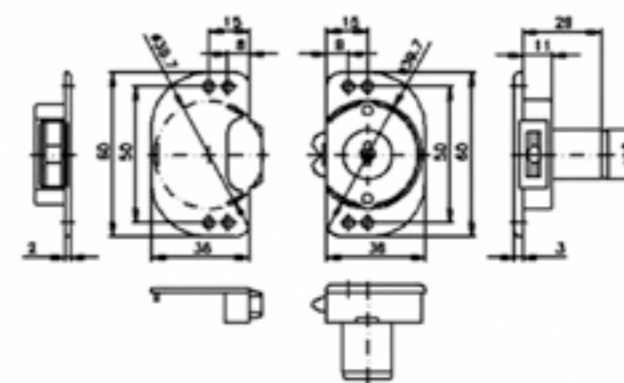
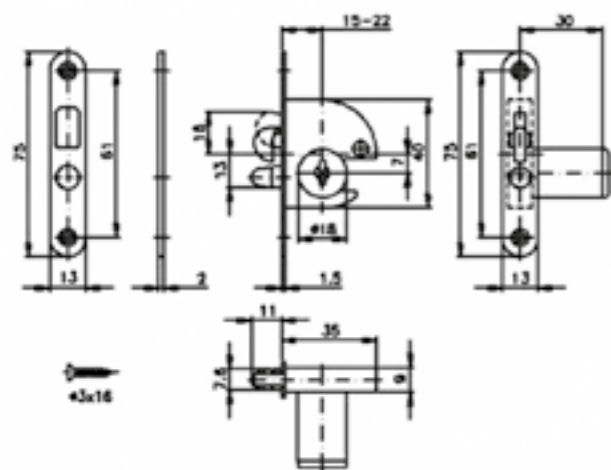
## RJS2 | Special Lock



**Product description:** Roller shutter lock for cup bore, right/left. Extremely low protruding double hook cam and corresponding striker plates to prevent unwanted movement.

**Ordering information:** Striker plates of choice included with delivery. Matching accessories (e.g. rosettes, cylinder cores, etc.) can be found in the corresponding sections.

<b>Backset</b>	15 mm
<b>material</b>	Die-cast
<b>finish</b>	nickel-plated
<b>Locking direction</b>	R / L
<b>Cylinder diameter (mm)</b>	18 mm



# Wooden furniture

SBR2 | Special Lock



**Product description:** Striker plate for RJS2, nickel-plated, for single-acting shutters.

<b>material</b>	Die-cast
<b>finish</b>	nickel-plated

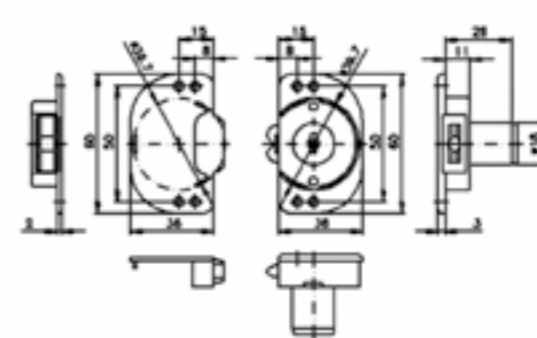
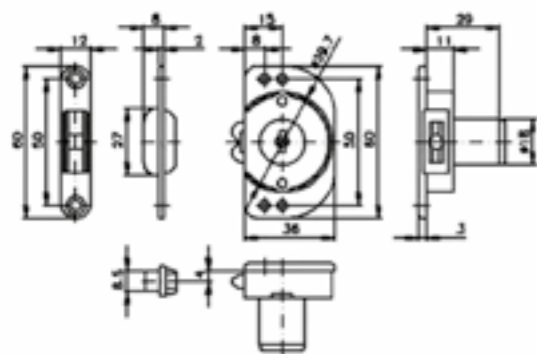
# Wooden furniture

SWR2 | Special Lock



**Product description:** Angular striker plate for RJS2, nickel-plated, for dual-acting shutters.

<b>material</b>	Die-cast
<b>finish</b>	nickel-plated



Information

1

2

3

4

5

6

7

8

9

10

11

12

13

14

15

# Wooden furniture

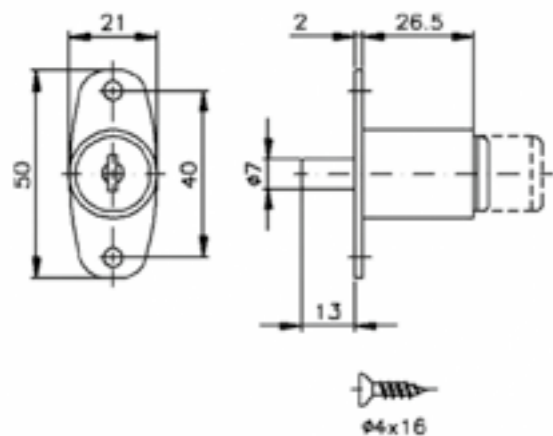
## DZ I Special Lock



**Product description:** Push cylinder for sliding doors. This push cylinder is distinguished by its striking visuals and special rosette.

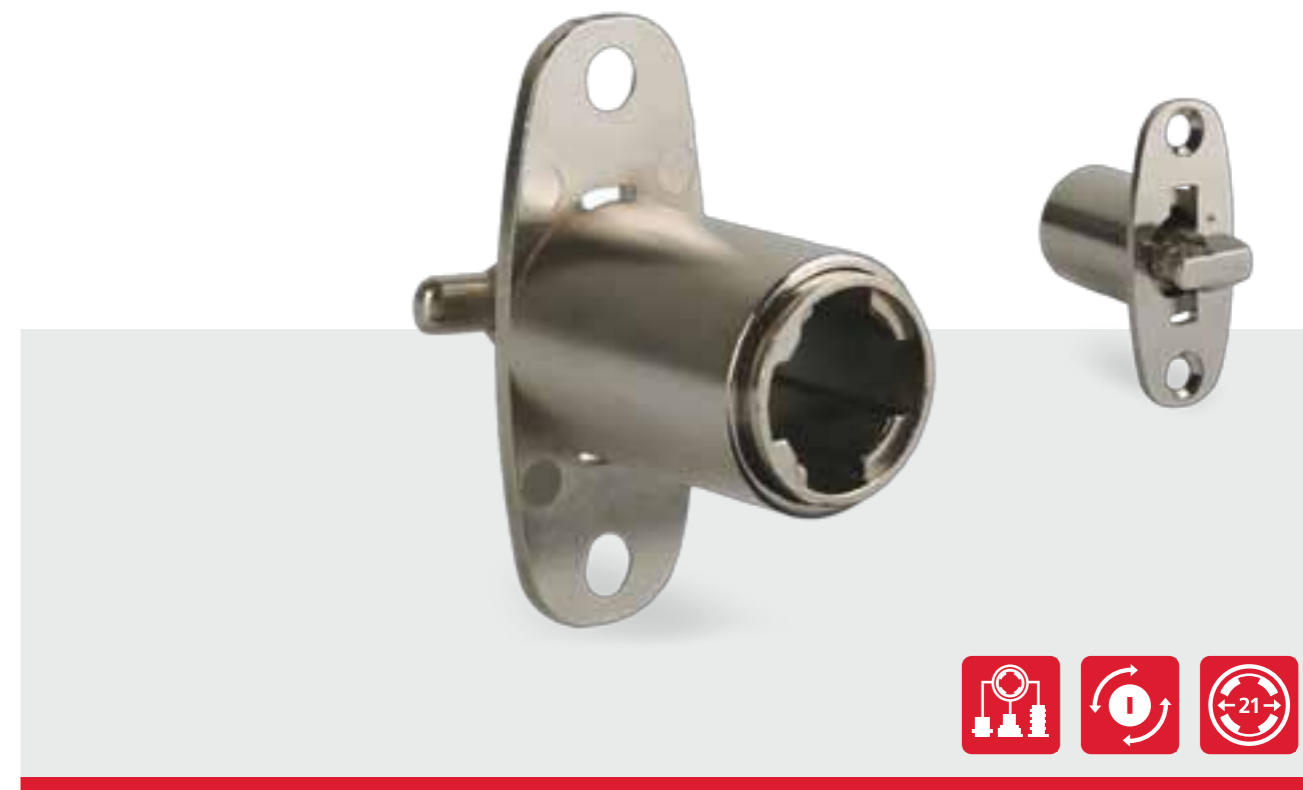
**Ordering information:** Matching accessories (e.g. design rosette SRDZ.16 or SRDZ.19) can be found in the Accessories/Rosettes section.

<b>material</b>	Die-cast
<b>finish</b>	nickel-plated
<b>Cylinder diameter (mm)</b>	21 mm



# Wooden furniture

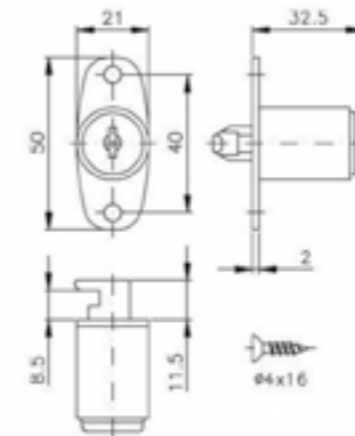
## DDZ I Special Lock



**Product description:** Push-turn cylinder for sliding doors. This push cylinder is distinguished by its striking visuals and special rosette.

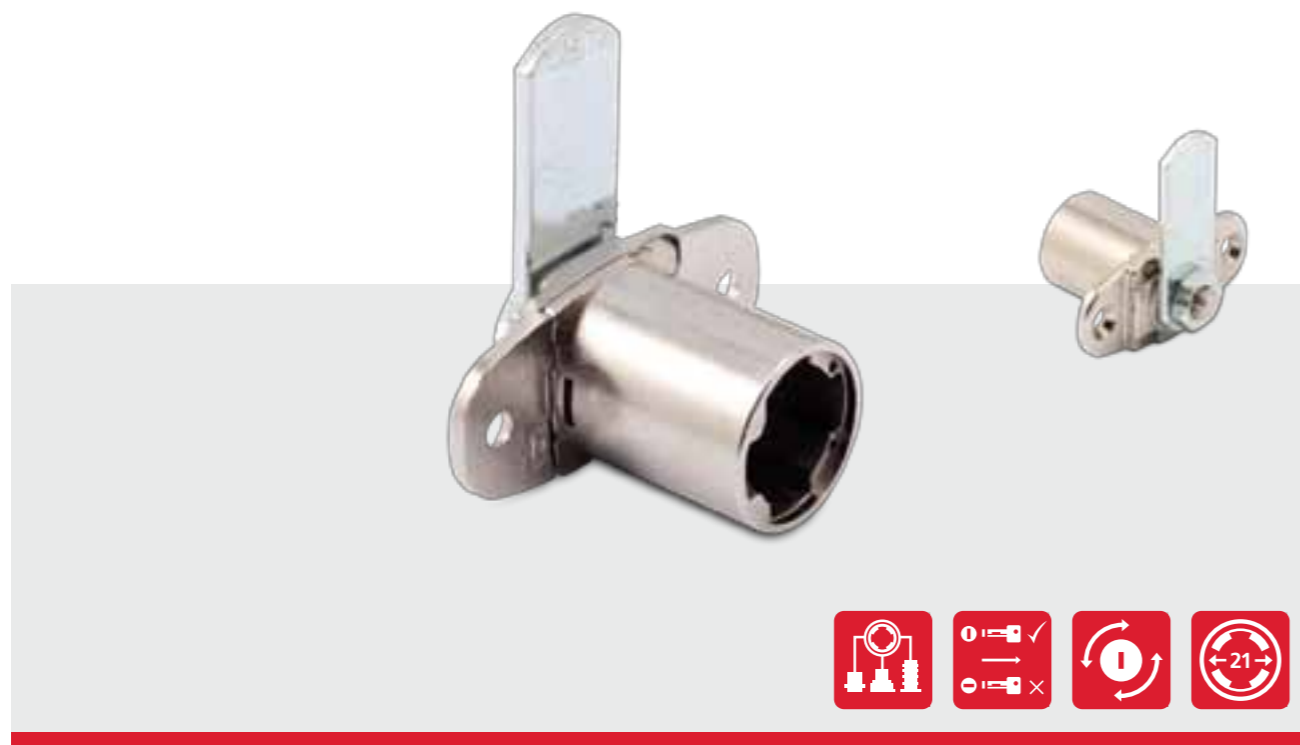
**Ordering information:** Matching accessories (e.g. design rosette SRDZ.16 or SRDZ.19) can be found in the Accessories/Rosettes section.

<b>material</b>	Die-cast
<b>finish</b>	nickel-plated
<b>Locking direction</b>	R / L
<b>Cylinder diameter (mm)</b>	21 mm



# Wooden furniture

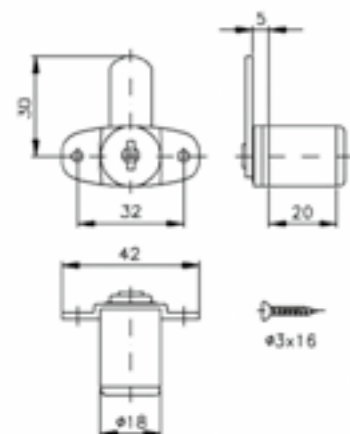
**HZB.30.D** | Special Lock



**Product description:** Cam cylinder with fixing flange. This lock can be used for the drawer locking direction.

**Ordering information:** We offer a variety of different cams for this product – please ask! Matching accessories can be found in the corresponding sections.

<b>Backset</b>	30 mm
<b>material</b>	Die-cast
<b>finish</b>	nickel-plated
<b>Locking direction</b>	Drawer use
<b>Cylinder diameter (mm)</b>	18 mm
<b>Cylinder length (mm)</b>	Door thickness 19 mm
<b>cam type</b>	type A



# Wooden furniture

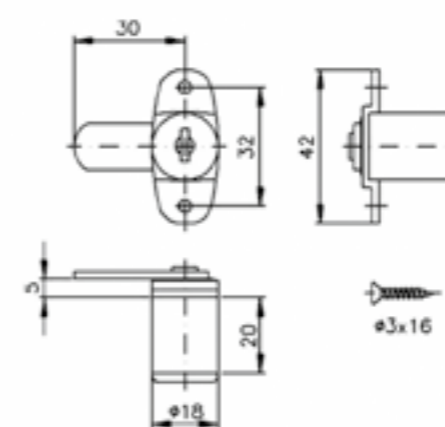
**HZB.30.X** | Special Lock



**Product description:** Cam cylinder with fixing flange. This lock can be used for right and left locking directions.

**Ordering information:** We offer a variety of different cams for this product – please ask! Matching accessories can be found in the corresponding sections.

<b>Backset</b>	30 mm
<b>material</b>	Die-cast
<b>finish</b>	nickel-plated
<b>Locking direction</b>	R / L
<b>Cylinder diameter (mm)</b>	18 mm
<b>Cylinder length (mm)</b>	Door thickness 19 mm
<b>cam type</b>	type A



# Wooden furniture

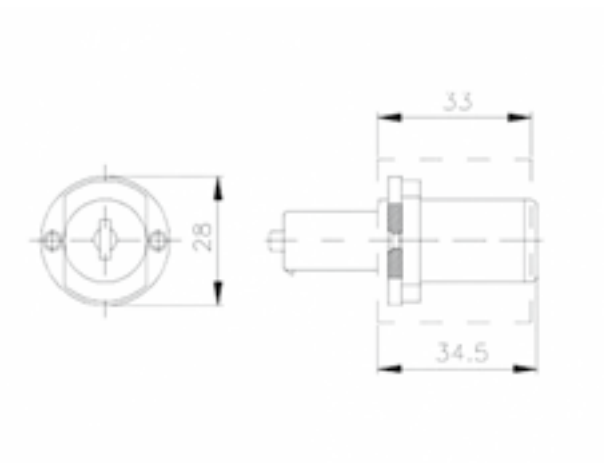
## BZDK.3 | Without lock



**Product description:** Basic support structure for cylinder turn knob and/or turn knob ZDK3 or DK3, can be used for individual knob design, e.g. wooden knobs, right/left, compatible with all Burg furniture keys.

**Ordering information:** Matching accessories for this product (e.g. espagnolette locks, screw-on locks and cylinder cores) can be found in the corresponding sections.

<b>material</b>	Die-cast
<b>finish</b>	nickel-plated
<b>Locking direction</b>	R / L

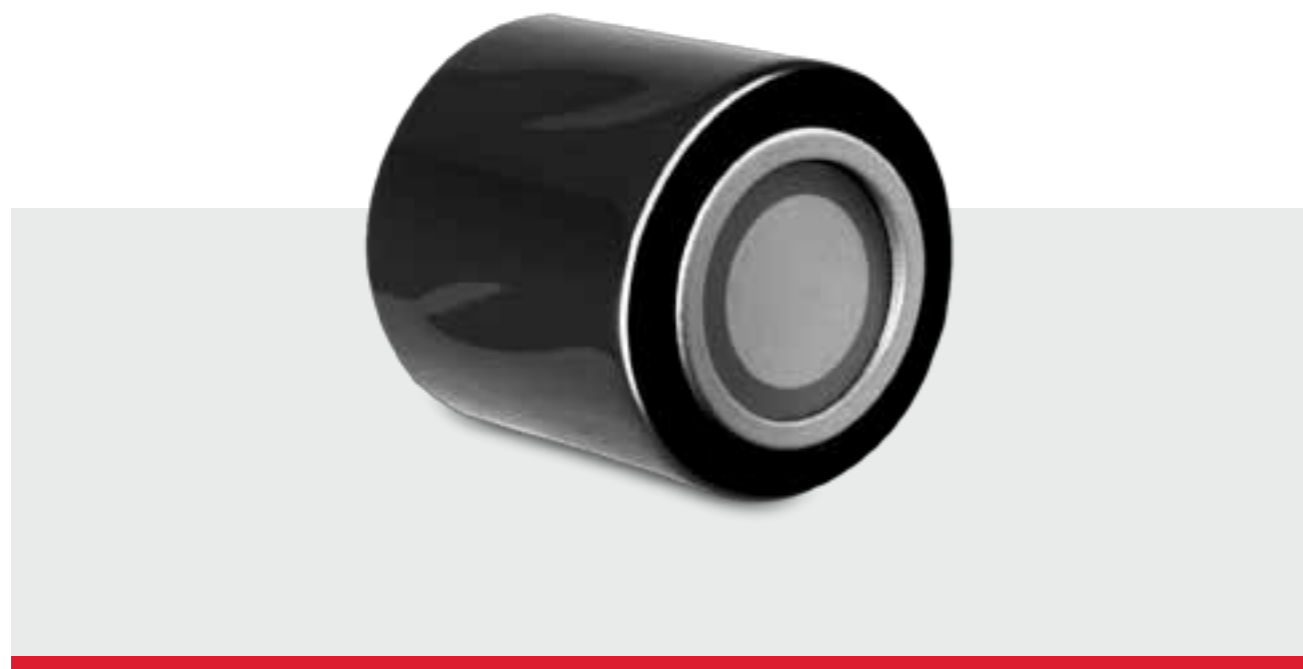


## Electronics



# Wooden furniture

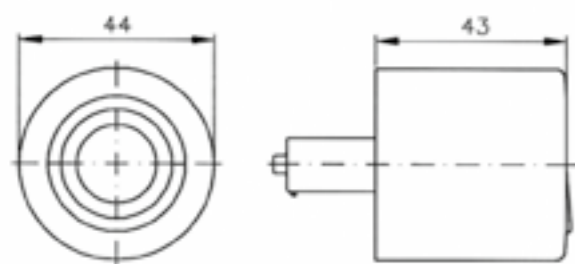
**CodeKnob.L** | Electronic lock | CodeKnob



**Product description:** Electronic turn knob with free-wheel function. The knob is activated when the correct code is entered and can be opened and closed once. **Left** design.

**Ordering information:** Can only be used with a lock. Compatible with all Burg furniture keys. Battery included with delivery.

<b>finish</b>	carbon metallic
<b>material</b>	zamak, plastic
<b>Locking direction</b>	left
<b>combination</b>	9999



# Wooden furniture

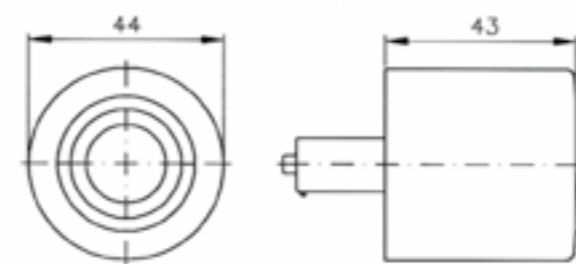
**CodeKnob.L.Alu** | Electronic lock | CodeKnob



**Product description:** Electronic turn knob with free-wheel function. The knob is activated when the correct code is entered and can be opened and closed once. **Left** design.

**Ordering information:** Can only be used with a lock. Compatible with all Burg furniture keys. Battery included with delivery.

<b>material</b>	zamak, plastic
<b>finish</b>	aluminium finish
<b>Locking direction</b>	left
<b>combination</b>	9999



# Metal furniture

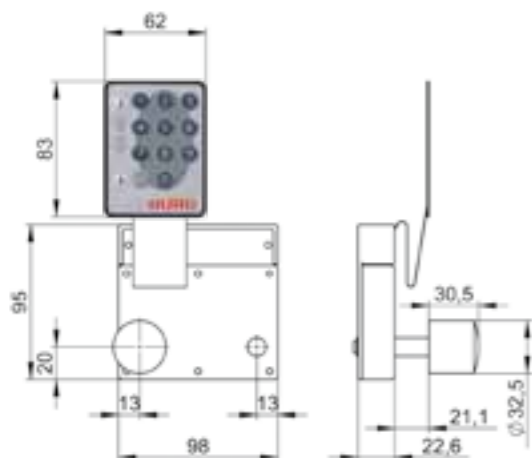
**Touch Code I** Electronic lock



**Product description:** Electronic lock with emergency opening function.

**Ordering information:** Battery not included with delivery.

<b>Battery life</b>	5000x open and close
<b>Power supply</b>	9 volt battery
<b>network</b>	no
<b>Door stop</b>	right, left
function	PUK-Funktion
combination	10000
finish	silbergrau
material	plastic (PU)
<b>cam type</b>	standard
fixing	screw



# Metal furniture

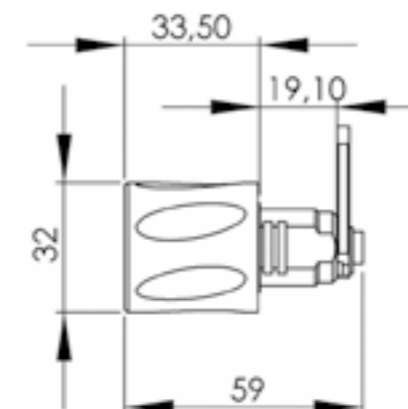
**E-HS I** Electronic lock



**Product description:**

- Revolving safety knob
- Suitable for outdoor use: IP 54
- Temperature range -20°C to +60°C
- Magnetic protection
- Excellent tactile properties with recesses
- Compatible with all BURG electronics

<b>finish</b>	lacquered or electroplated
<b>fixing</b>	nut
article no.	400E3004
material thickness	up to 11 mm
<b>fixing</b>	horseshoe clip
article no.	400E3084
material thickness	1 mm or 4,5 mm
<b>cam type</b>	type B
fixing	Snap ring



Information

1

2

3

4

5

6

7

8

9

10

11

12

13

14

15

# Metal furniture

**PocketAccess** | Electronic lock | Electronic Controls



<b>finish</b>	black
<b>material</b>	plastic (PU)
<b>Electronic</b>	international radio: 2,4 GHz
<b>Power supply</b>	Battery 2x Litium AA
<b>Battery life</b>	10.000 cycles



# Metal furniture

**radio** | Electronic lock | Electronic Controls



<b>finish</b>	black
<b>material</b>	plastic (PU)
<b>Electronic</b>	international radio: 2,4 GHz
<b>Power supply</b>	Battery 2x Litium AA
<b>Battery life</b>	10.000 cycles
<b>master key system</b>	yes



Information

1

2

3

4

5

6

7

8

9

10

11

12

13

14

15

# Metal furniture

SmartOpen | Electronic lock | Electronic Controls



<b>Power supply</b>	Battery
<b>Battery life</b>	> 10.000 lockings
<b>key type</b>	Transponder
key combinations	100
master key	yes



# Metal furniture

SimonsVoss | Electronic lock | Electronic Controls



<b>finish</b>	black
<b>material</b>	plastic (PU)
<b>Power supply</b>	Battery
<b>Battery life</b>	ca. 1 Million locking operations
<b>key type</b>	Transponder
key combinations	48.000
master key	possible

Information

1

2

3

4

5

6

7

8

9

10

11

12

13

14

15





Coin deposit and  
Combination locks

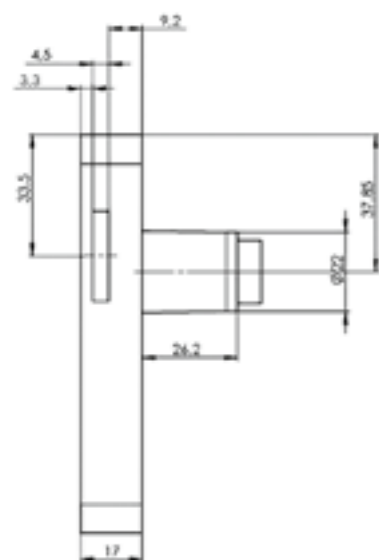
## Metal furniture

Eco | Coin- and combination padlocks | Coin Lock



Coin lock: Basic version.

currency	50 Cent, 1 EUR, 2 EUR, others on request
Door stop	right, left
material	plastic (PU)



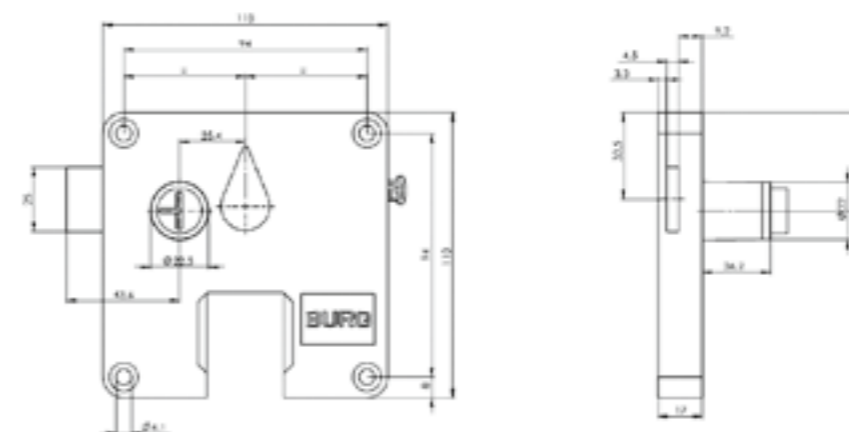
## Metal furniture

Acqua | Coin- and combination padlocks | Coin Lock



Coin lock: Suitable for use in wet areas.

currency	50 Cent, 1 EUR, 2 EUR, others on request
Door stop	right, left
material	plastic (PU)



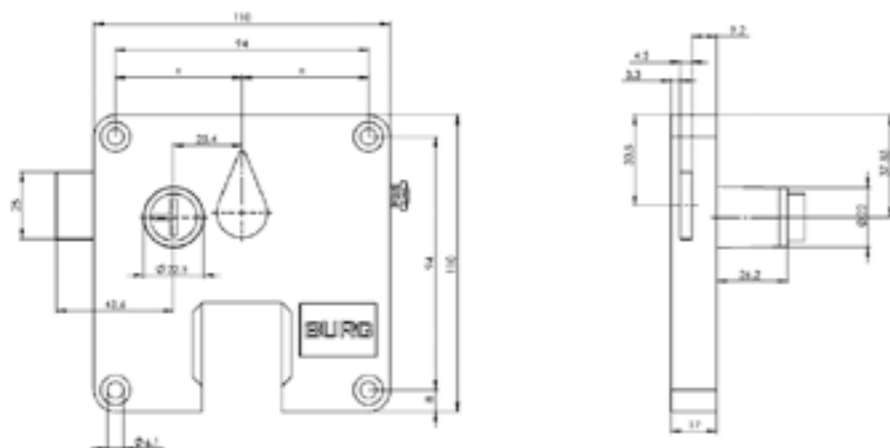
# Metal furniture

**Elegance** | Coin- and combination padlocks | Coin Lock



**Coin lock:** Elegant version.

<b>currency</b>	50 Cent, 1 EUR, 2 EUR, others on request
<b>Door stop</b>	right, left
<b>material</b>	Die-cast



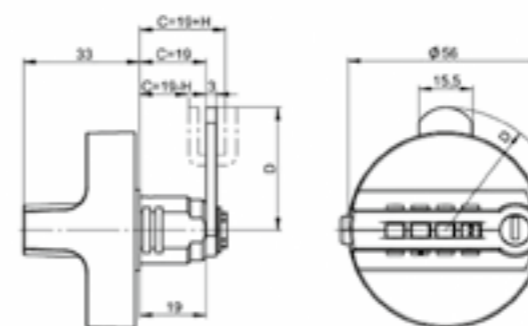
# Metal furniture

**H4C.20Z206** | Coin- and combination padlocks | Combination Camlocks



**Combination camlock** with four dials for free coding and **masterkey function**, can also be used on wood with adapter ZHMS-001. Please make sure that you replace the full stop when ordering! If you like a **horseshoe clip**, please enter 2. If you like a **nut**, please enter 4. Example: H4C(.)20Z206 H4C(2)20Z206 (with horseshoe clip)

<b>finish</b>	nickel, black chrome
<b>fixing</b>	nut
article no.	400E1594
material thickness	up to 11 mm
<b>cam type</b>	type B
fixing	nut
<b>fixing</b>	horseshoe clip
article no.	400E4944
material thickness	1 mm or 4,5 mm



Information

1

2

3

4

5

6

7

8

9

10

11

12

13

14

15

# Metal furniture

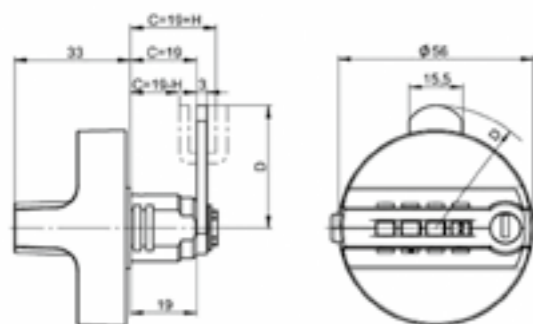
**H4C.20Z207** | Coin- and combination padlocks | Combination Camlocks



**Combination camlock** with four dials for free coding and **masterkey function** and additional **code-finding**. Can also be used for wood with adapter ZHMS-001. Please make sure that you replace the full stop when ordering! If you like a **horseshoe clip**, please enter 2. If you like a **nut**, please enter 4.

Example: H4C(.)20Z207 H4C(2)20Z207 (with horseshoe clip)

<b>finish</b>	nickel, black chrome
<b>fixing</b>	nut
article no.	400E1594
material thickness	up to 11 mm
<b>key type</b>	A
master key	possible
<b>cam type</b>	type B
fixing	nut
<b>fixing</b>	horseshoe clip
article no.	400E4944
material thickness	1 mm or 4,5 mm



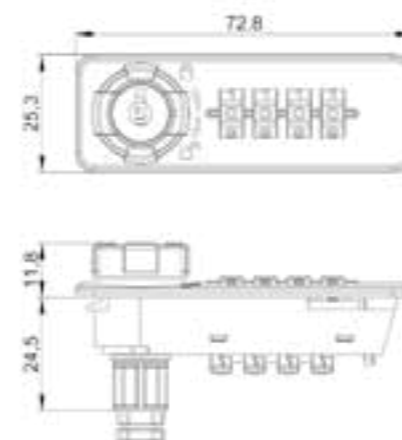
# Metal furniture

**H-ZC 224** | Coin- and combination padlocks | Combination Camlocks



**Permutation lock:** Includes adapter for wooden furniture.

<b>fixing</b>	horseshoe clip
<b>article no.</b>	KLF
<b>material thickness</b>	0,7-1,2 mm
<b>cam type</b>	type B
combination	9999
movements	clockwise rotation
function	turn three dials for closing
Coding	backside (lever)
Code-finding	yes
master key	Master key system possible
colors	black
finish (body)	plastic (PU)
material	plastic (PU)



Information

1

2

3

4

5

6

7

8

9

10

11

12

13

14

15





Accessories for cylinder cores

# Wooden furniture

**BST.F I** Wafer tumbler



**Blanking plugs**

<b>finish</b>	nickel-plated
<b>material</b>	plastic (PU)

# Wooden furniture

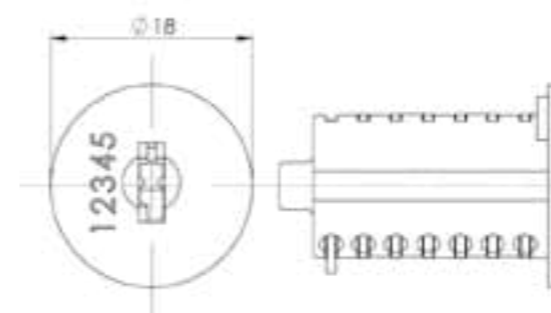
**WK I** Wafer tumbler



**Product description:** Cylinder **interchangeable** core, with 6 plate thumbles, up to 2,000 different key combinations possible.

**Ordering information:** Matching accessories for this product (e.g. espagnolette locks, screw-on locks and cylinder cores) can be found in the corresponding sections.

<b>finish</b>	nickel-plated
<b>material</b>	Die-cast
<b>Cylinder diameter (mm)</b>	18 mm
<b>master key system</b>	optional



Information

1

2

3

4

5

6

7

8

9

10

11

12

13

14

15

# Wooden furniture

**WKS.1** | Wafer tumbler



**Product description:** Interchangeable core with special lock , compatible with Burg furniture keys, can be used with all Burg furniture lock products.

**Ordering information:** Matching accessories for this product (e.g. espagnolette locks, screw-on locks and cylinder cores) can be found in the corresponding sections.

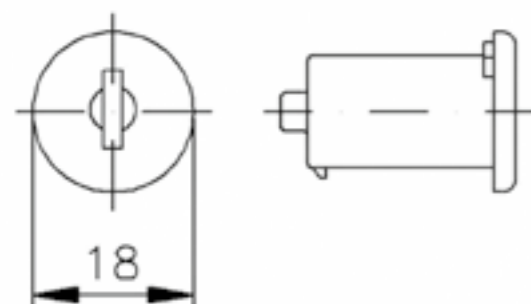
<b>material</b>	Die-cast
<b>finish</b>	brilliance nickel-plated, matt nickel-plated, gold-plated
<b>Cylinder diameter (mm)</b>	18

# Wooden furniture

**SWK I** | Pen cylinder



<b>material</b>	Die-cast
<b>finish</b>	nickel-plated







Accessories for keys

# Accessories

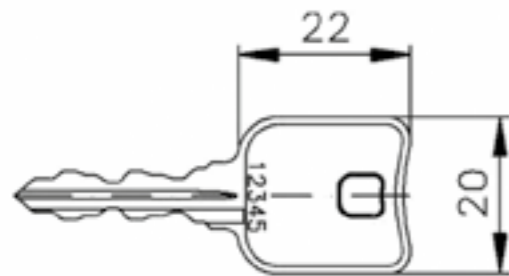
SI furniture key



**Product description:** Standard key with Burg logo and number.

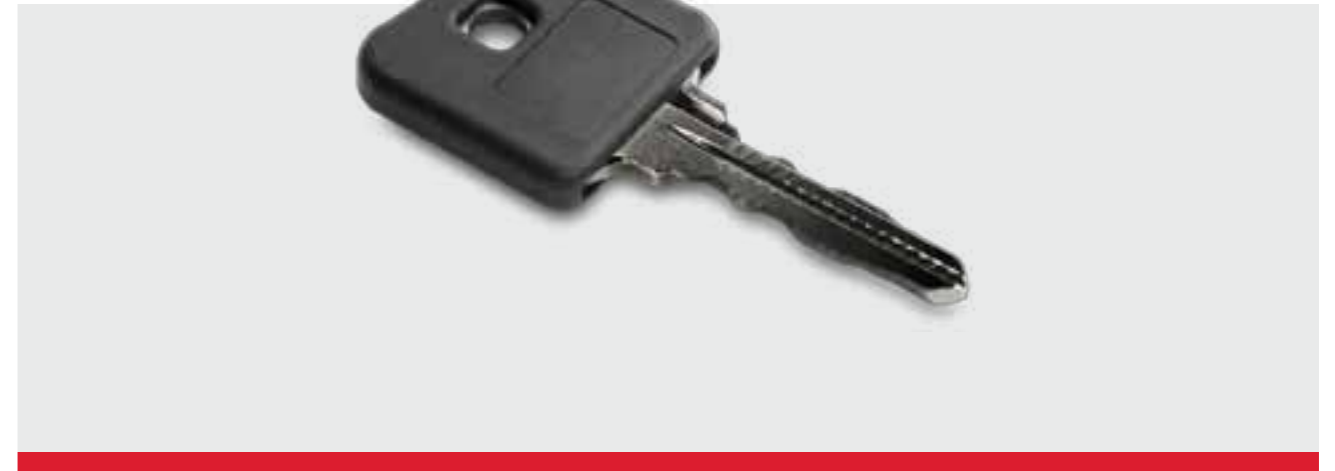
<b>material</b>	steel
<b>finish</b>	nickel-plated

**Ordering information:** Customer logo by request! Plastic protective cap available separately.



# Accessories

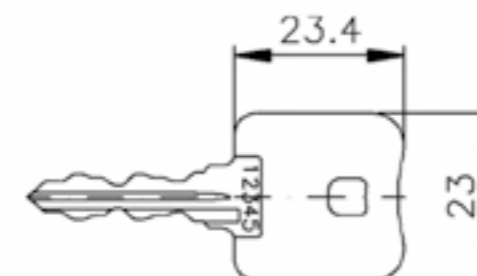
KI furniture key



**Product description:** Key with plastic cap, with Burg logo and number.

<b>material</b>	steel, plastic
<b>finish</b>	nickel-plated

**Ordering information:** Customer logo by request!



# Accessories

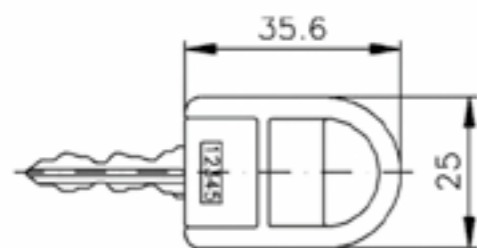
FI furniture key



**Product description:** Key with flexible plastic cap, with Burg logo and number.

<b>material</b>	steel, plastic
<b>finish</b>	nickel-plated

**Ordering information:** Customer logo by request!



# Accessories

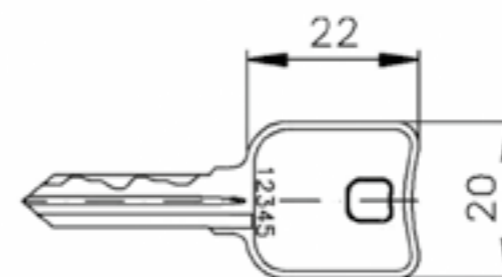
SBI furniture key



**Product description:** Track key with Burg logo and number.

<b>finish</b>	nickel-plated
<b>material</b>	steel

**Ordering information:** Customer logo by request! Plastic protective cap available separately.



Information

1

2

3

4

5

6

7

8

9

10

11

12

13

14

15

# Accessories

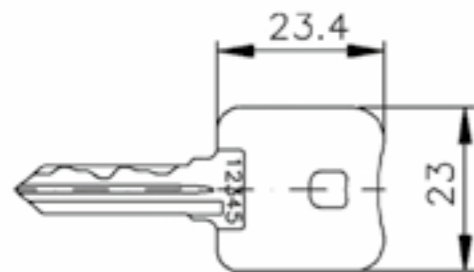
KB I furniture key



**Product description:** Track key with plastic cap, with Burg logo and number.

<b>finish</b>	nickel-plated
<b>material</b>	steel, plastic

**Ordering information:** Customer logo by request!



# Accessories

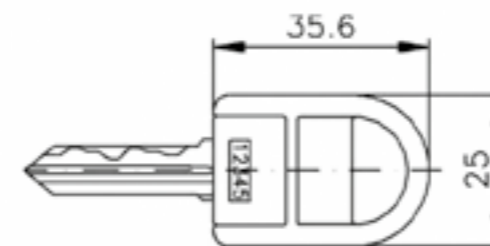
FB I furniture key



**Product description:** Track key with flexible plastic cap, with Burg logo and number.

<b>finish</b>	nickel-plated
<b>material</b>	steel, plastic

**Ordering information:** Customer logo by request!



# Accessories

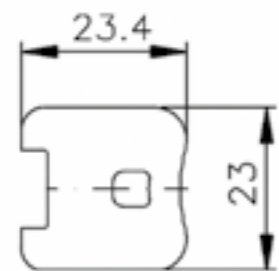
KK I furniture key



**Product description:** Plastic protective cap, with Burg logo.

**Ordering information:** Customer logo by request!

<b>material</b>	plastic (PU)
<b>finish</b>	Black



# Accessories

MS.1 I furniture key



**Product description:** Furniture key for furniture interchangeable core WKS.

<b>material</b>	Die-cast
<b>finish</b>	brilliance nickel-plated, matt nickel-plated, gold-plated

Information

1

2

3

4

5

6

7

8

9

10

11

12

13

14

15

# Accessories

XI furniture key



Key for pencil cylinder SWK.

**finish**

nickel silver

**material**

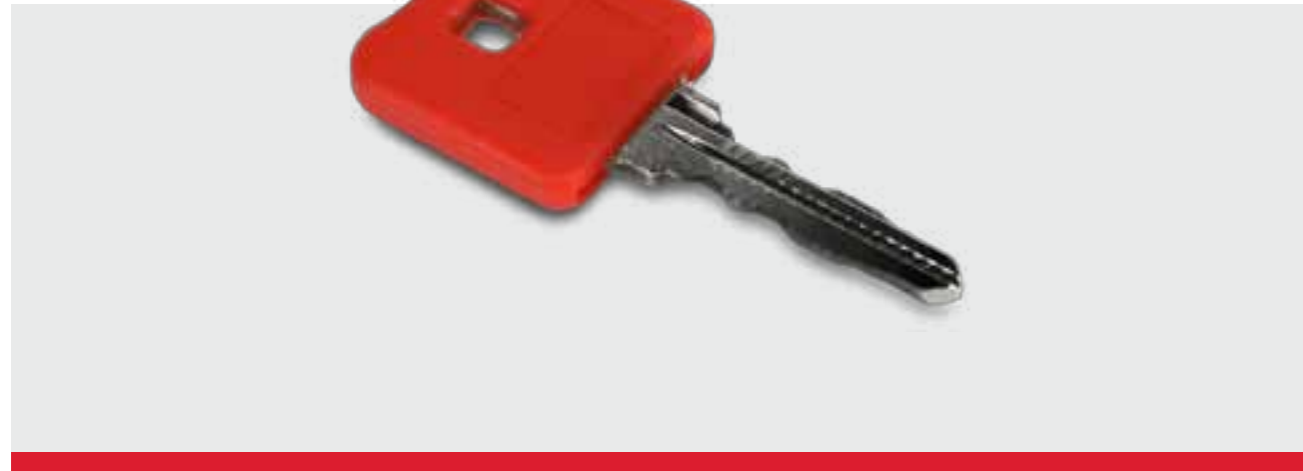
steel



Accessories for disassembly

# Accessories

DMS I furniture key



**Product description:** Removal key with red plastic cap, with Burg logo. Key has no locking function.

<b>material</b>	steel, plastic
<b>finish</b>	nickel-plated

# Accessories

MTH I furniture key



**Mounting aid** for locking direction.

<b>finish</b>	nickel-plated
<b>material</b>	steel, plastic

# Accessories

ALN I furniture key



Release pin for removing handle systems.

<b>finish</b>	nickel-plated
<b>material</b>	steel, plastic

# Accessories

XES I furniture key



Removal key for SWK.

<b>finish</b>	nickel silver
<b>material</b>	Die-cast





Accessories for rosettes

# Accessories

STR.18 | Rosettes



Product description: Standard rosette for 18 mm inner diameter.

material	brass
finish	nickel-plated

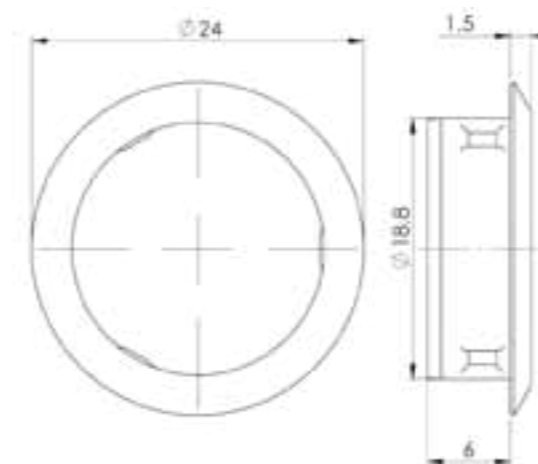
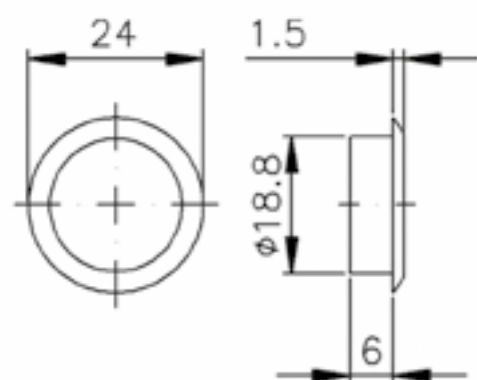
# Accessories

STR.18 SH | Rosettes



Product description: Standard self-locking rosette for 18 mm inner diameter.

material	brass
finish	nickel-plated



Information

1

2

3

4

5

6

7

8

9

10

11

12

13

14

15

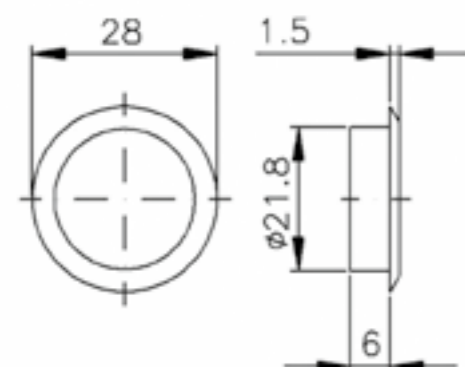
# Accessories

STR.21 | Rosettes



Product description: Standard rosette for 21mm inner diameter.

material	brass
finish	nickel-plated



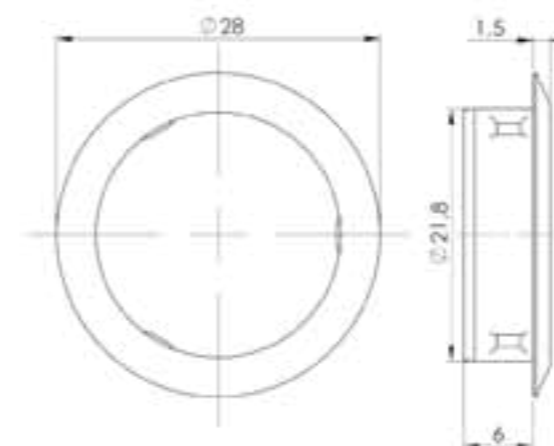
# Accessories

STR.21 SH | Rosettes



Product description: Standard self-locking rosette for 21mm inner diameter.

material	brass
finish	nickel-plated



Information

1

2

3

4

5

6

7

8

9

10

11

12

13

14

15

# Accessories

SR.1 | Rosettes



Product description: Design rosette for an elegant look.

<b>material</b>	Die-cast
<b>finish</b>	nickel-plated, gold-plated

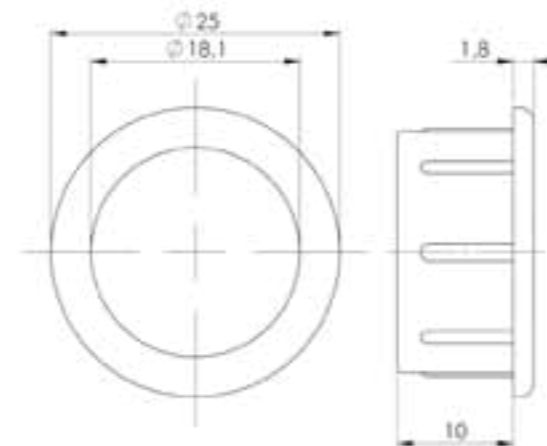
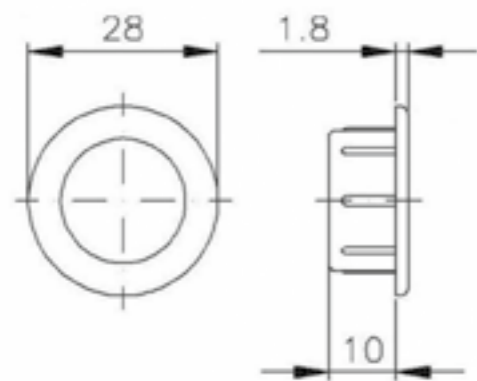
# Accessories

SR25.1 | Rosettes



Design rosette

<b>finish</b>	nickel-plated
<b>material</b>	Die-cast



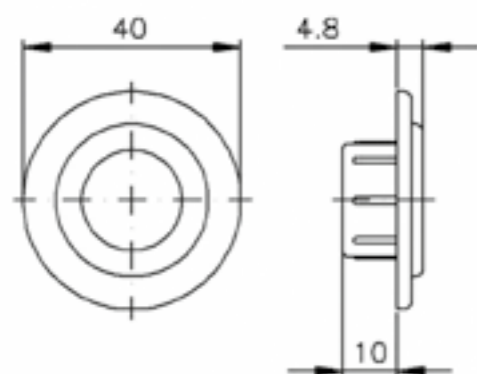
# Accessories

SSR.1 | Rosettes



**Product description:** Design stepped rosette for a different look.

<b>material</b>	Die-cast
<b>finish</b>	brilliance nickel-plated, matt nickel-plated, gold-plated



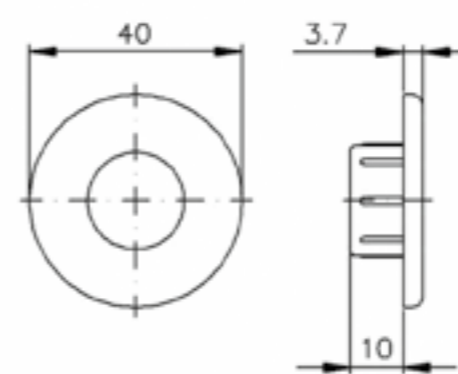
# Accessories

SKR.1 | Rosettes



**Product description:** Design Karlotte rosette for a different look.

<b>material</b>	Die-cast
<b>finish</b>	brilliance nickel-plated, matt nickel-plated, gold-plated



Information

1

2

3

4

5

6

7

8

9

10

11

12

13

14

15

# Accessories

SRDZ.16 | Rosettes



**Product description:** Design **rosette** for a different look, specifically for push cylinders and push-turn cylinders DZ + DDZ.

<b>material</b>	Die-cast
<b>finish</b>	nickel-plated
<b>Cylinder length (mm)</b>	Door thickness 16 mm

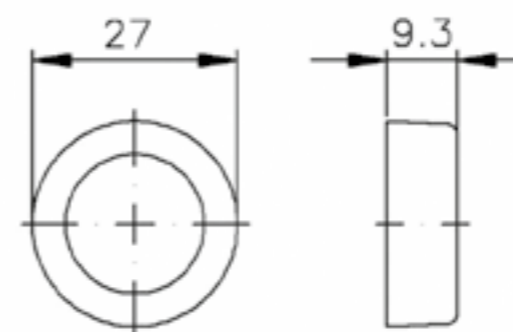
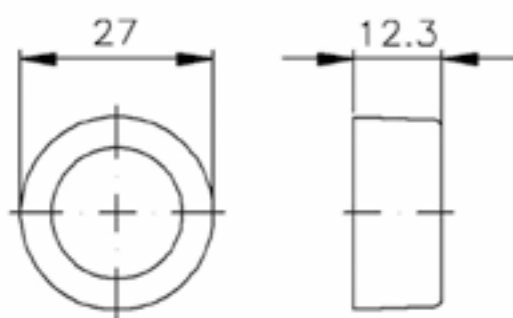
# Accessories

SRDZ.19 | Rosettes



**Product description:** Design **rosette** for a different look, specifically for push cylinders and push-turn cylinders DZ + DDZ.

<b>material</b>	Die-cast
<b>finish</b>	nickel-plated
<b>Cylinder length (mm)</b>	Door thickness 19 mm



# Accessories

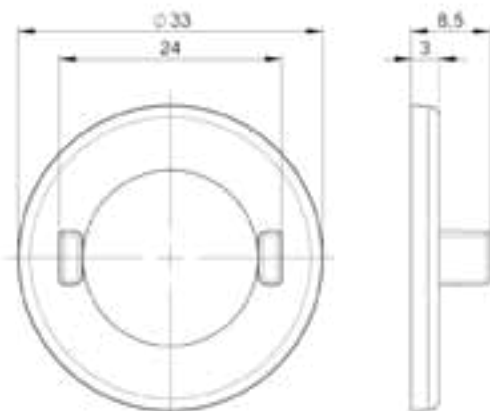
## DR.16 | Rosettes



**Product description:** Design **spacer ring for door thickness 16**, compatible with all cylinder- and turn knobs.

**material**  
**finish**

Die-cast  
nickel-plated





Accessories for glass furniture

# Accessories

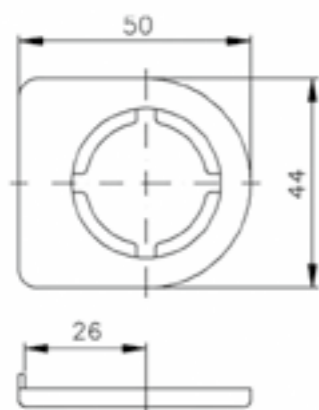
**AP1.1** | adapter for glass door locks



**Product description:** Striker plate for cam cylinder HZM and knob cylinder GFT 1+2, for single leaf glass doors.

**Ordering information:** The adapter ring must be ordered separately for cam cylinder HZM.

<b>material</b>	Die-cast
<b>finish</b>	brilliance nickel-plated, gold-plated



# Accessories

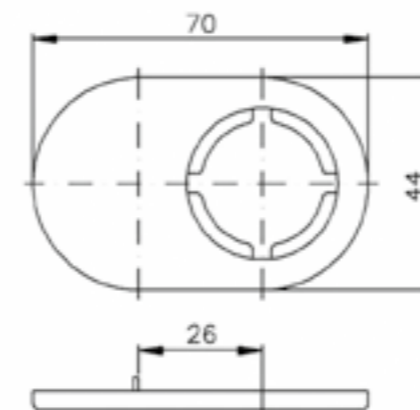
**AP2.1** | adapter for glass door locks



**Product description:** Striker plate for cam cylinder HZM and knob cylinder GFT 1+2, for double leaf glass doors.

**Ordering information:** The adapter ring must be ordered separately for cam cylinder HZM.

<b>material</b>	Die-cast
<b>finish</b>	brilliance nickel-plated, gold-plated



Information

1

2

3

4

5

6

7

8

9

10

11

12

13

14

15

# Accessories

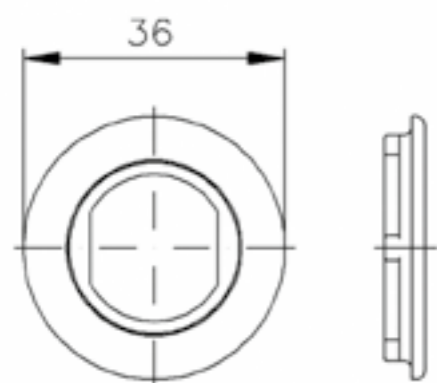
**AR1.1** | adapter for glass door locks



**Product description:** Adapter ring for striker plate AP1 and AP2.

<b>material</b>	Die-cast
<b>finish</b>	brilliance nickel-plated

**Ordering information:** Can only be used with cam cylinder HZM.



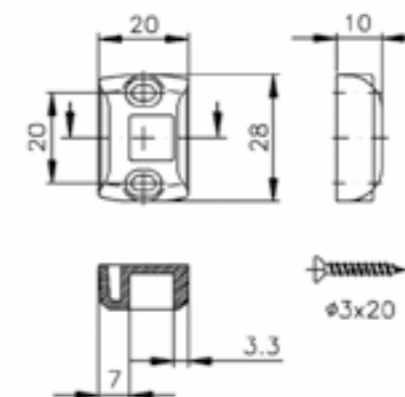
# Accessories

**SWG** | adapter for glass door locks



**Product description:** Angular striker plate for glass door locks GFT.1 up to GFT.4.

<b>material</b>	Die-cast
<b>finish</b>	nickel-plated



Information

1

2

3

4

5

6

7

8

9

10

11

12

13

14

15





## Accessories for angular strikes

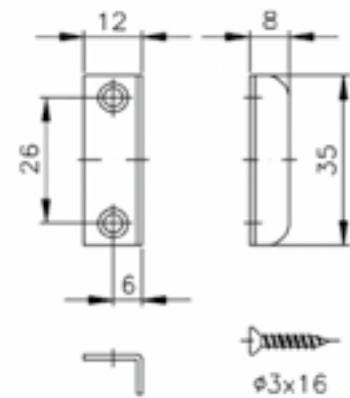
# Accessories

SW1 | angular striker plate



**Product description:** Angular striker plate made of steel, small, nickel-plated.

<b>material</b>	steel
<b>finish</b>	nickel-plated



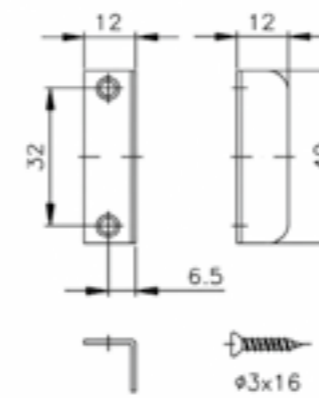
# Accessories

SW2 | angular striker plate



**Product description:** Angular striker plate made of steel, large, nickel-plated.

<b>material</b>	steel
<b>finish</b>	nickel-plated



Information

1

2

3

4

5

6

7

8

9

10

11

12

13

14

15

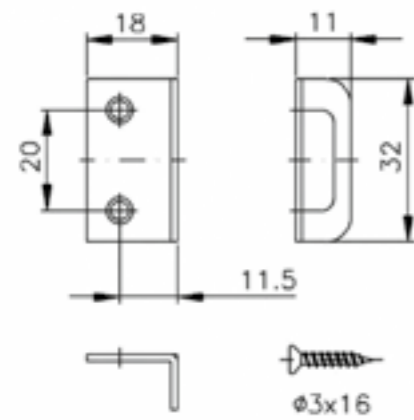
# Accessories

SW3 I angular striker plate



**Product description:** Angular striker plate made of steel, large and with slot, nickel-plated.

<b>material</b>	steel
<b>finish</b>	nickel-plated



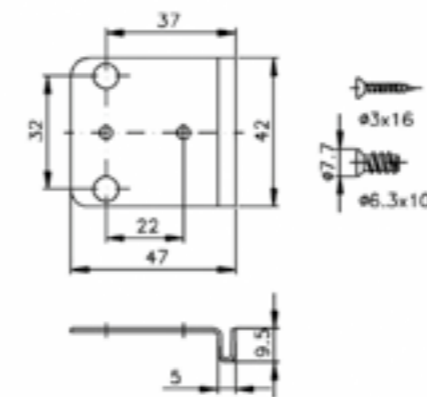
# Accessories

SW5 I angular striker plate



**Product description:** System angular striker plate for rabbet 5, made of steel, nickel-plated.

<b>material</b>	steel
<b>finish</b>	nickel-plated



Information

1

2

3

4

5

6

7

8

9

10

11

12

13

14

15

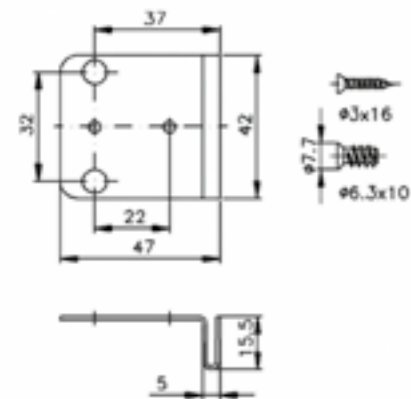
# Accessories

**SW5.16** | angular striker plate



**Product description:** System angular striker plate for rabbet 5 with extended shaft, made of steel, nickel-plated.

<b>material</b>	steel
<b>finish</b>	nickel-plated



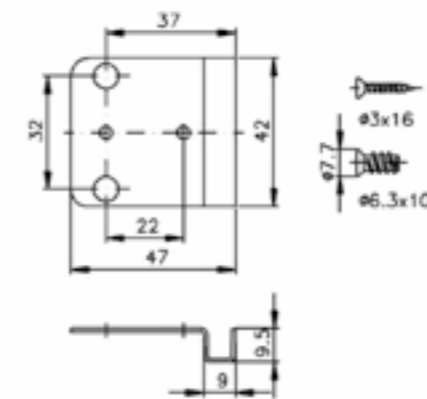
# Accessories

**SW9** | angular striker plate



**Product description:** System angular striker plate for rabbet 9, made of steel, nickel-plated.

<b>material</b>	steel
<b>finish</b>	nickel-plated



Information

1

2

3

4

5

6

7

8

9

10

11

12

13

14

15





# Wooden furniture

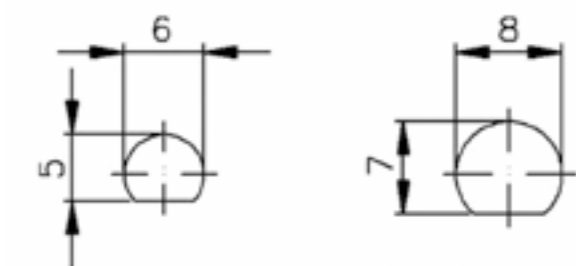
DSI Rods



**Product description:** Various espagnolettes in diameters 6/5 mm and 8/7 mm. Steel, nickel-plated.

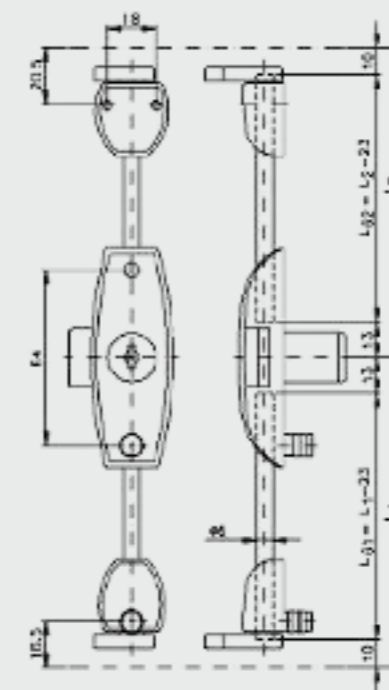
**Ordering information:** Article numbers can be found in the corresponding table. Other lengths available by request

<b>material</b>	steel
<b>finish</b>	nickel-plated
<b>length (mm)</b>	1000, 1500, 2500

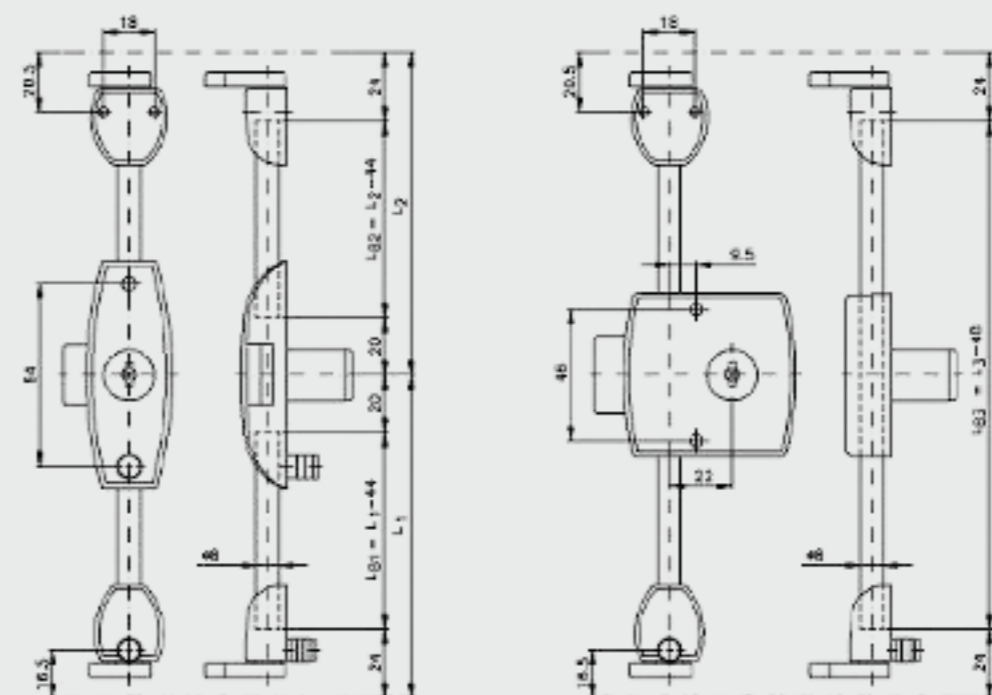


# Construct information

Evaluation of espagnolette 6 mm



Evaluation of espagnolette 8 mm



Information

1

2

3

4

5

6

7

8

9

10

11

12

13

14

15



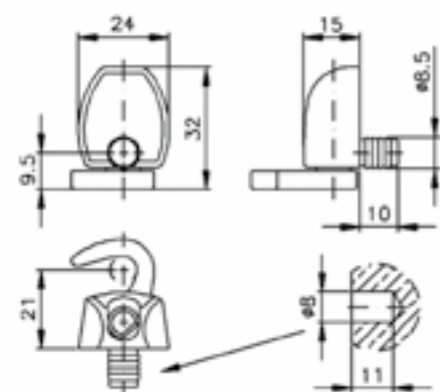
# Accessories

## SHD.R I Hook



**Product description:** Hook to knocks for plugging, for 6/5 mm and 8/7 mm espagnolettes. Can be installed right downwards or left upwards in furniture. Die-cast nickel-plated housing, plastic bearing.

<b>finish</b>	nickel-plated, gold-plated
<b>material</b>	zamak, plastic



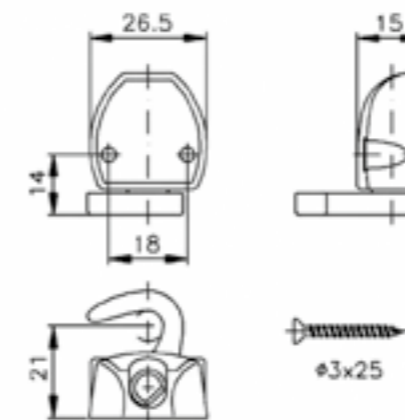
# Accessories

## SHS.L I Hook



**Product description:** Hook to knocks for screwing on, for 6/5 mm and 8/7 mm espagnolettes. Can be installed left downwards or right upwards in furniture. Die-cast nickel-plated housing, plastic bearing.

<b>finish</b>	nickel-plated, gold-plated
<b>material</b>	zamak, plastic



Information  
1  
2  
3  
4  
5  
6  
7  
8  
9  
10  
11  
12  
13  
14  
15

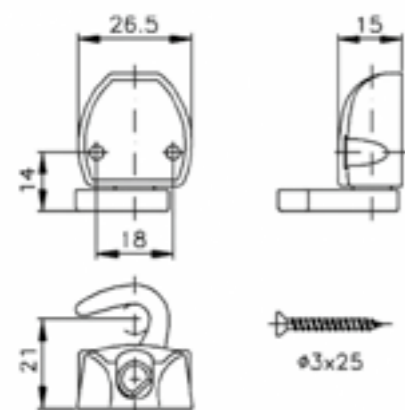
# Accessories

SHS.R I Hook



**Product description:** Hook to knocks for screwing on, for 6/5 mm and 8/7 mm espagnolettes. Can be installed right downwards or left upwards in furniture. Die-cast nickel-plated housing, plastic bearing.

<b>finish</b>	nickel-plated, gold-plated
<b>material</b>	zamak, plastic



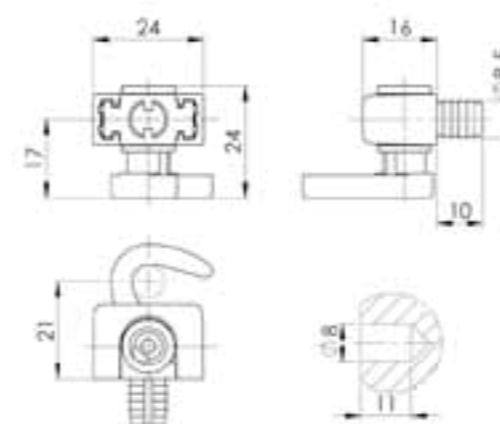
# Accessories

SHD4.L I Hook



**Product description:** Hook to knocks for plugging, for 6/5 mm espagnolettes. Can be installed left downwards or right upwards in furniture. Die-cast nickel-plated housing, plastic bearing.

<b>finish</b>	nickel-plated
<b>material</b>	zamak, plastic



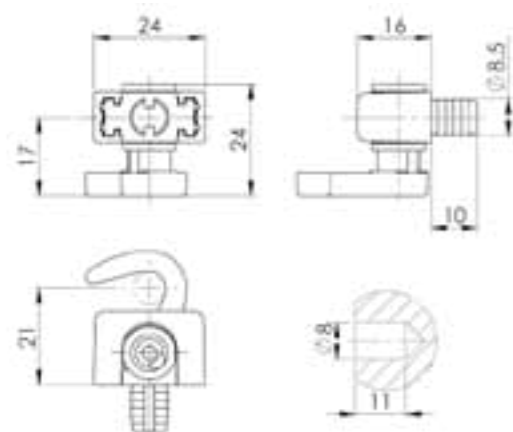
# Accessories

**SHD4.R** | Hook



**Product description:** Hook to knocks for plugging, for 6/5 mm espagnolettes. Can be installed right downwards or left upwards in furniture. Die-cast nickel-plated housing, plastic bearing.

<b>finish</b>	nickel-plated
<b>material</b>	zamak, plastic



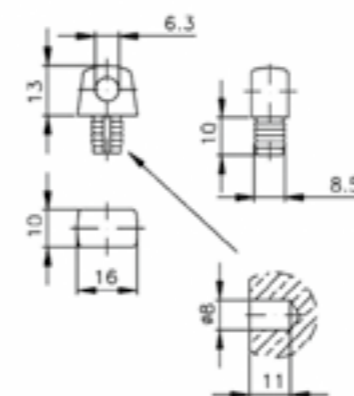
# Accessories

**ZFD6** | Bar guide to screw on



**Product description:** Bar guide for plugging, for 6/5 mm espagnolettes. Die-cast nickel-plated housing.

<b>material</b>	Die-cast
<b>finish</b>	nickel-plated



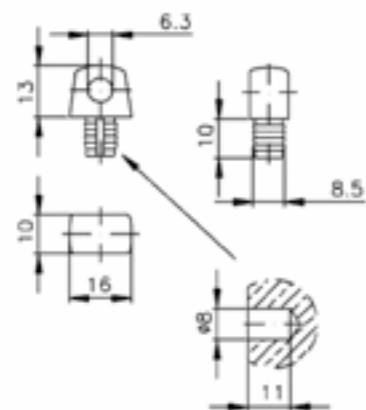
# Accessories

ZFD6.KL I Bar guide to screw on



**Product description:** Bar guide for plugging, with plastic bearing, for 6/5 mm espagnolettes. Die-cast nickel-plated housing.

<b>material</b>	Die-cast
<b>finish</b>	nickel-plated



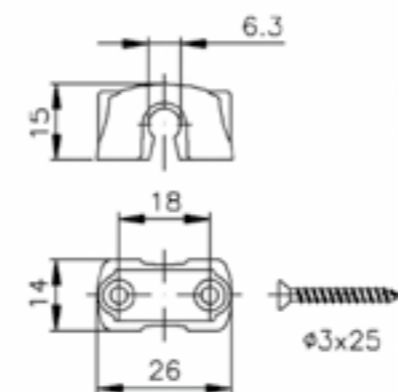
# Accessories

ZFS6 I Bar guide to screw on



**Product description:** Bar guide for screwing on, for 6/5 mm espagnolettes. Die-cast nickel-plated housing, plastic bearing.

<b>material</b>	zamak, plastic
<b>finish</b>	nickel-plated



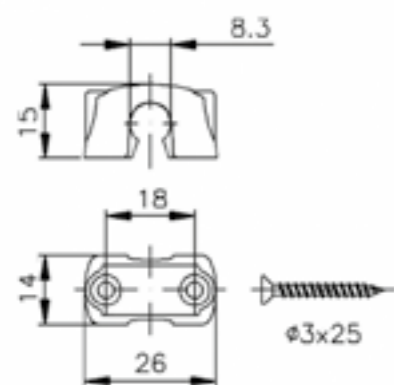
# Accessories

ZFS8 | Bar guide to screw on



**Product description:** Bar guide for screwing on, for 8/7 mm espagnolettes. Die-cast nickel-plated housing, plastic bearing.

<b>material</b>	zamak, plastic
<b>finish</b>	nickel-plated



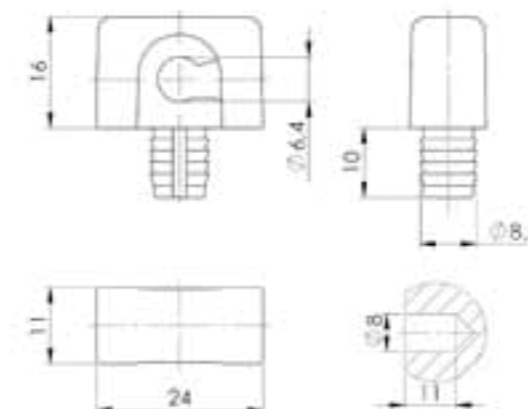
# Accessories

ZFD4.6 | Bar guide to screw on



**Product description:** Bar guide for screwing on, for 6/5 mm espagnolettes. Die-cast nickel-plated housing, plastic bearing.

<b>finish</b>	nickel-plated
<b>material</b>	zamak, plastic



Information

1

2

3

4

5

6

7

8

9

10

11

12

13

14

15

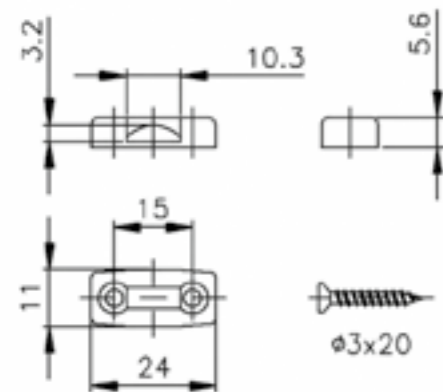
# Accessories

ZFH I Bar guide to screw on



**Product description:** Bar guide for screwing on, for 10/3 mm half-round rod. Die-cast nickel-plated housing.

<b>material</b>	Die-cast
<b>finish</b>	nickel-plated



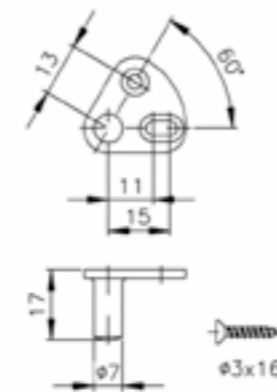
# Accessories

SBO1 I Stop on plate to screw on



**Product description:** Stop on plate, for screwing on, with lengthways slot for improved positioning.

<b>material</b>	Die-cast
<b>finish</b>	nickel-plated



Information

1

2

3

4

5

6

7

8

9

10

11

12

13

14

15

# Accessories

**SBO2** | Stop on plate to screw on



**Product description:** Stop on plates with wood screw thread, eccentric, nickel-plated.

<b>material</b>	steel
<b>finish</b>	nickel-plated

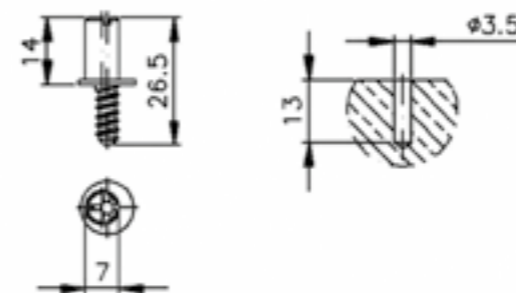
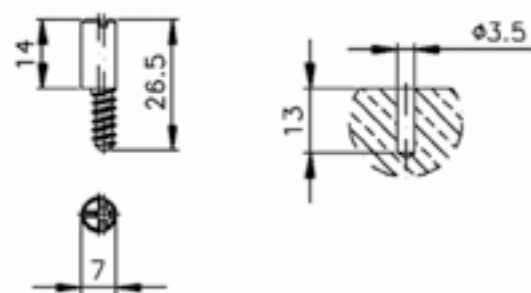
# Accessories

**SBO3** | Stop on plate to screw on



**Product description:** Stop on plates with wood screw thread and flange, eccentric, nickel-plated.

<b>material</b>	Die-cast
<b>finish</b>	nickel-plated



Information

1

2

3

4

5

6

7

8

9

10

11

12

13

14

15

# Accessories

**SBO4** | Stop on plate to screw on



**Product description:** Stop on plates with EURO thread, eccentric, nickel-plated.

<b>material</b>	Die-cast
<b>finish</b>	nickel-plated

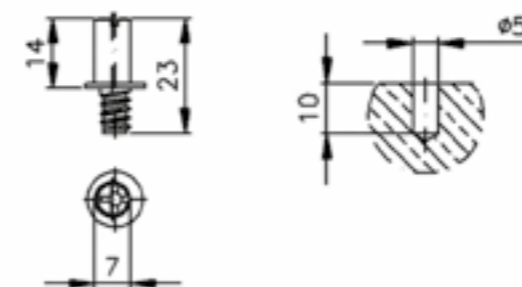
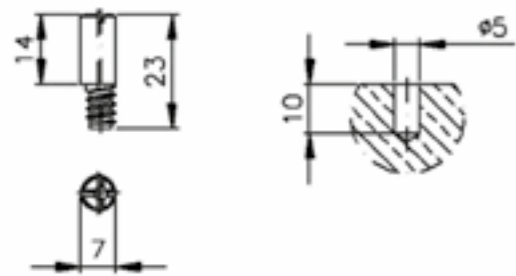
# Accessories

**SBO5** | Stop on plate to screw on



**Product description:** Stop on plates with EURO thread and flange, eccentric, nickel-plated.

<b>material</b>	Die-cast
<b>finish</b>	nickel-plated



Information

1

2

3

4

5

6

7

8

9

10

11

12

13

14

15

# Accessories

**SBO6** | Stop on plate to screw on



**Product description:** Stop on plates with M6 thread, eccentric, nickel-plated, including glue-in sleeve ELM6.

<b>material</b>	Die-cast
<b>finish</b>	nickel-plated

# Accessories

**SBO7** | Stop on plate to screw on



**Product description:** Stop on plates with M6 thread with flange, eccentric, nickel-plated, including glue-in sleeve ELM6.

<b>material</b>	steel
<b>finish</b>	nickel-plated

