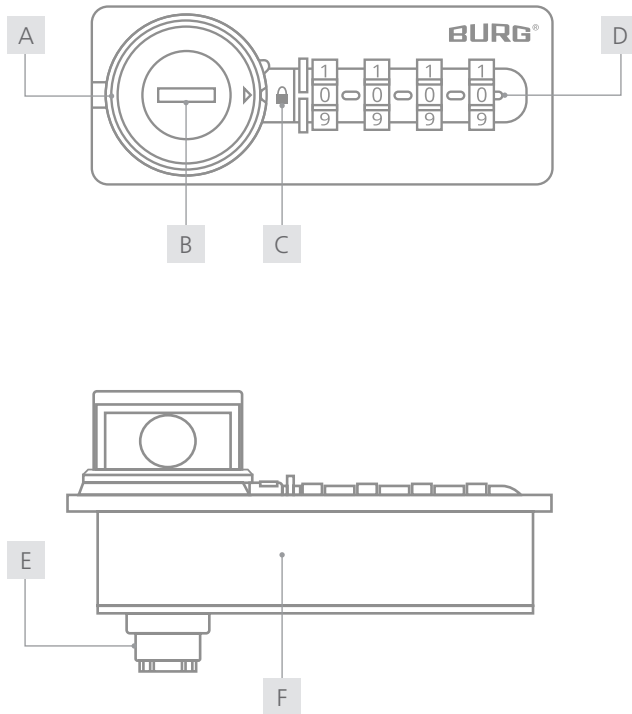




sPinLock700
Operating Manual

sPinLock700



- | | |
|---------------|--------------------|
| A knob | B Schlüsselöffnung |
| C lock symbol | D guide line |
| E stator | F housing |

Content

General.....	2
Technical data.....	3
Scope of delivery.....	3
Optional accessories.....	3
Features.....	3
Product dimensions.....	3
Mounting dimensions.....	3
Functional description.....	3
Configuration.....	4
Operation.....	4
Contact.....	4

General

The latest version of this guide is available at:
www.burg.de

Important: Please observe all warnings and read the entire operating manual before starting the configuration.

Factsheet

Front view



Back view



Technical Data

Dimension	85,5 mm x 33 mm x 49,8 mm
Material	Housing: plastic Stator: zamak
Mode	Multi-user mode
Number wheels	4
Code combinations	9,999
Locking direction	Left (90°), door hinge: DIN right Right (90°), door hinge: DIN left LAD / drawer (90°); vertical-top
Mounting hole	Wood: 29,6mm x 81,6mm Steel: 25,1 mm x 77,1 mm
Lock attachment	Mounting frame (1x)
Max. door thickness	Wood: 16 mm bis 22 mm Steel: 0,5 mm bis 2,5 mm
Cam type	B
Code (default)	0-0-0-0

Scope of Delivery

- 1x locking system
- 1x cam fixing screw (M4 x 8mm, serrated) with washer
- 1x mounting frame
- 2x fixing screw, mounting frame (M3 x 16 mm)

Optional Accessories

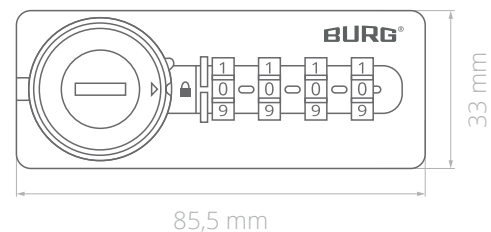
- master key

Features

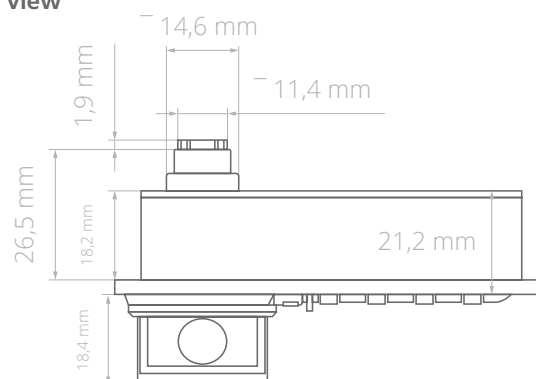
- automatic user code scrambling (prevents reading)
- simple installation and operation
- master key for emergency opening
- 9,999 possible code combinations
- variants for three different installation situations (left, right and drawer)
- clearly defined stop positions for the dials
- slim design even for difficult installation space situations

Product Dimensions

Front view

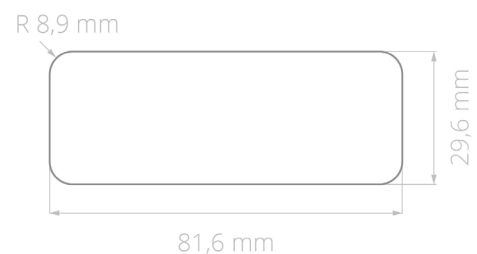


Top view

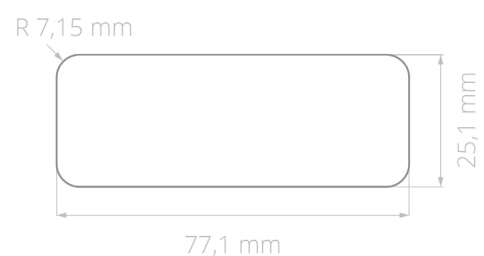


Mounting Dimensions

Holz



Stahl



Functional Description

Mode: multi-user authorization (multi-user mode)

This mode is suitable for changing user groups where the locker is only used temporarily or once, e.g. in a sports facility. The lock is locked by setting the desired code. The code used for locking remains valid until the lock is opened again with the same code.

Master key

The lock can be opened using the master key. The code is reset to the default setting 0-0-0-0.

Note: The master key is not included in the scope of delivery. If required, the master key can be ordered separately.

Automatic user code scrambling

The dials automatically return to the 0-0-0-0 setting after a successful locking process. They do not need to be turned manually.

Operation

1 Lock

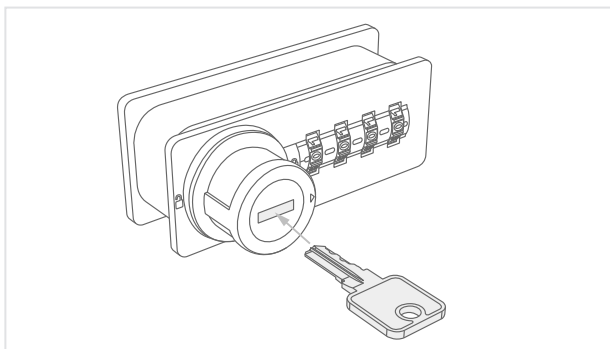
1. Close the door and set the desired code using the dials.
2. Turn the knob to the closed position (arrow points to the **red** lock symbol). The dials automatically return to the setting 0-0-0-0.

2 Unlock

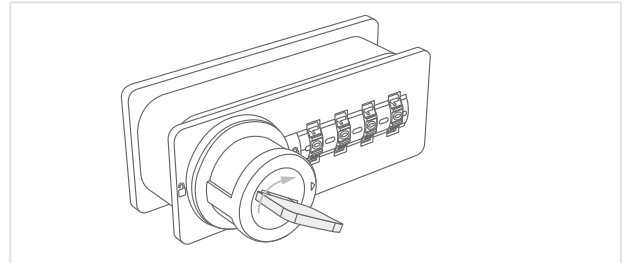
1. Set the code used for locking via the number wheels.
2. Turn the knob to the open position (arrow points to the **green** lock symbol). The dials automatically return to the setting 0-0-0-0. Pull the door open.

3 Unlock with master key

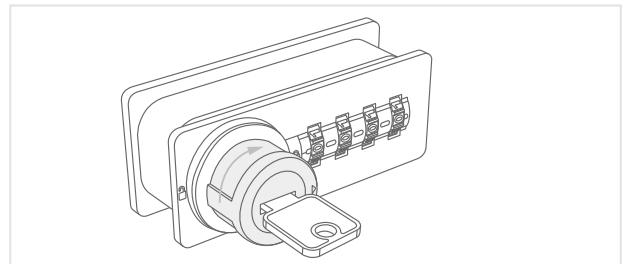
1. Insert the master key into the key opening.



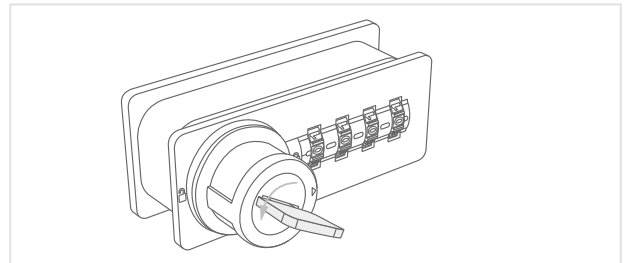
2. Hold the knob. Turn the master key clockwise as far as possible.



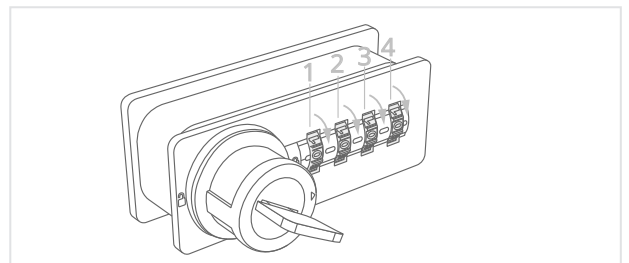
3. Turn the knob clockwise until it can no longer be moved.



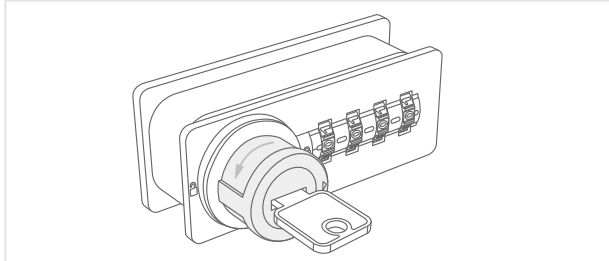
4. Hold the knob. Turn the master key counterclockwise until it can no longer be moved. **Hold the knob and master key in this position.**



5. Start with the number wheel next to the knob. Carefully turn the number dial once fully (e.g. from 0 to 0). Repeat the process for the other number wheels.



6. Turn the knob to the open position (arrow points to the green lock symbol) and pull the door open. Remove the master key. To lock, follow step **1** under the point „Operation“.



Contact

BURG Lüling GmbH & Co. KG

Volmarsteiner Str. 52
58089 Hagen (Germany)
+49(0)23 35 63 08-0

info@burg.de
www.burg.de