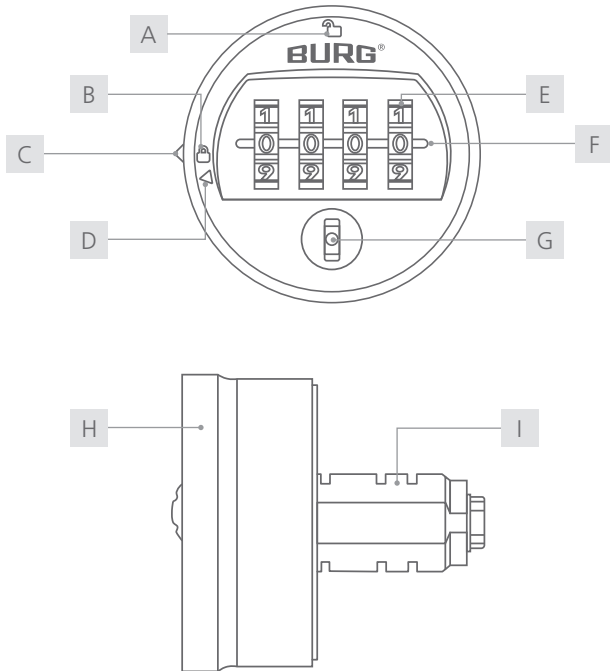




sPinLock300 Operating Manual

sPinLock300



- | | |
|--------------------|---------------------------------|
| A lock symbol open | B lock symbol closed |
| C guide arrow | D code settings arrow (Private) |
| E number wheels | F guide line |
| G Keyhole | H knob |
| I stator | |

Content

General.....	2
Technical data.....	3
Scope of delivery.....	3
Optional accessories.....	3
Features.....	3
Mounting dimensions.....	3
Dimensions clamping spring.....	3
Product dimensions.....	4
Functional description.....	5
Set the code (private mode).....	5
Operation.....	6 - 7
Assembly.....	8
Guarantee and warranty.....	8
Contact.....	8

General

The latest version of this guide is available at:
www.burg.de

Important notes:

Please observe all important notes and read the entire operating manual before starting the configuration.

Factsheet

Front view

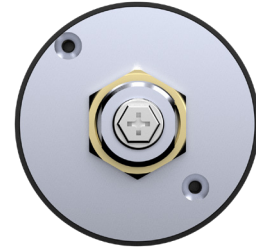


Private mode (right)



Multi-user mode (right)

Back view



Technical Data

Dimension	26 mm x Ø 50 mm
Material	zamak
Mounting dimension	16 mm x 19 mm
Max. door thickness	20 mm
Lock attachment	M19 nut (1x) clamping spring (1x), for steel only
Cam type	B
Locking direction ¹	left (90°), door hinge: DIN right / right (90°), door hinge: DIN left
Mode ²	multi-user mode / private mode
Number wheels	4
No. of possible codes	9.999
Code ³	1-1-1-1

Scope of Delivery

- 1x locking system
- 1x cam fixing screw⁴
- 1x M19 nut

Optional Accessories

- master key
- clamping spring

¹ Two different lock variants.

² Two different lock variants.

³ Default in private mode.

⁴ The use of a screw with a different length may cause damage to the lock.

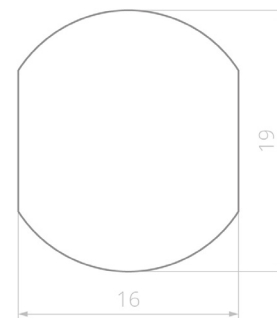
⁵ Mounting dimensions and templates (STEP files) for milling, punching or lasering can be requested from BURG.

Features

- automatic user code scrambling (prevents reading)
- version for multi-user mode or private mode
- version for left- or right-hinged doors
- sturdy zamak housing
- easy to retrofit, e.g. to replace mechanical locks
- master key for mechanical emergency opening

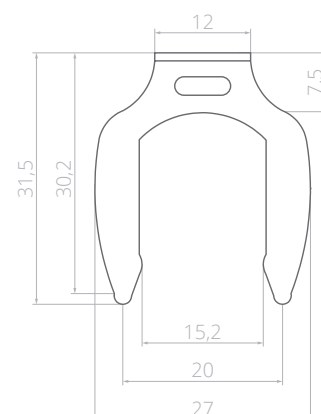
Mounting dimensions⁵

All dimensions are in millimeters. !



Dimensions clamping spring⁵

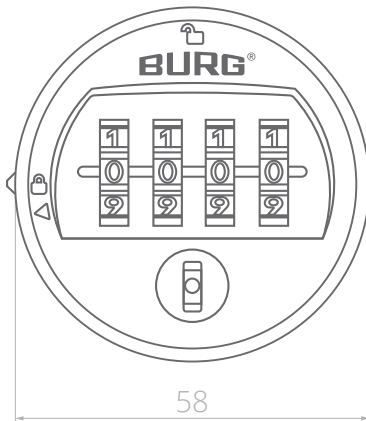
All dimensions are in millimeters. !



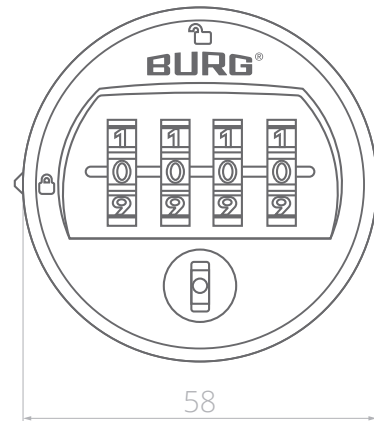
Product dimensions ¹

All dimensions are in millimeters.

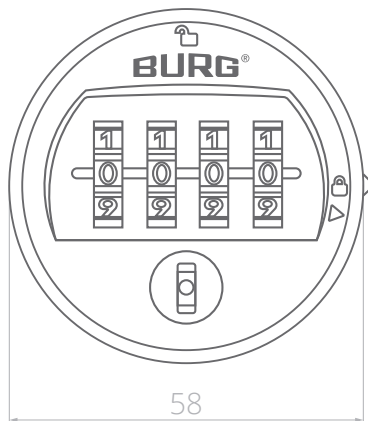
Frontview private mode (right)



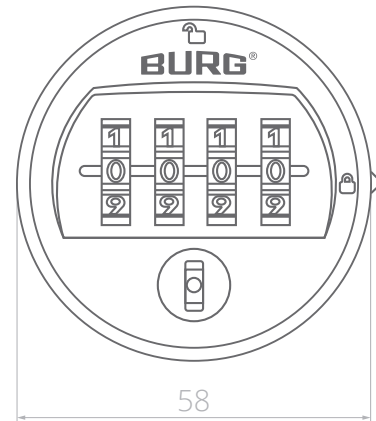
Frontview multi-user mode (right)



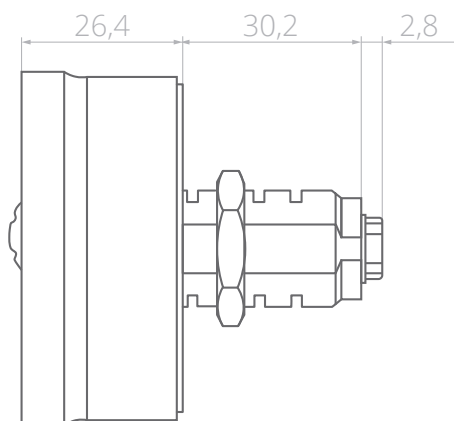
Frontview private mode (left)



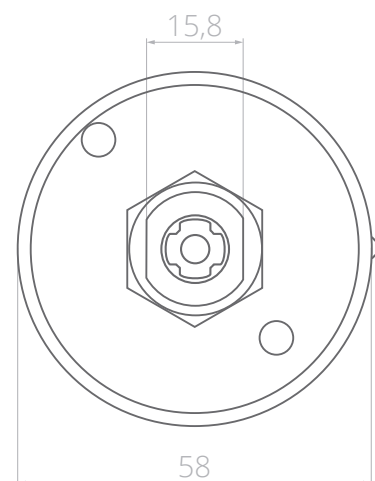
Frontview multi-user mode (left)



Sideview



Backview



¹ Mounting dimensions and templates (STEP files) for milling, punching or lasering can be requested from BURG.

Functional Description

Mode: multi-user authorization (multi-user mode)

This mode is suitable for changing user groups where the locker is only used temporarily or once, e.g. in a sports facility. Codes are valid for a single locking process and are deleted from the lock when the compartment is reopened. The lock remains open until a new code locks the lock again.

Mode: fixed assigned authorization (private mode)

In this mode, a code is preset with which the lock can be operated. This mode is suitable for user groups where the usage rights should not change permanently, e.g. for an office cabinet. The lock can only be operated with a stored code. Codes that are not stored are rejected by the lock.

Master key

By using the master key, you can read the current code and reopen the lock (code finding).

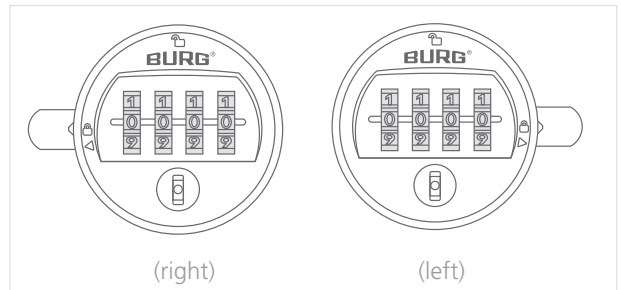
Note: The master key is not included. If needed, it can be ordered separately.

Automatic user code scrambling

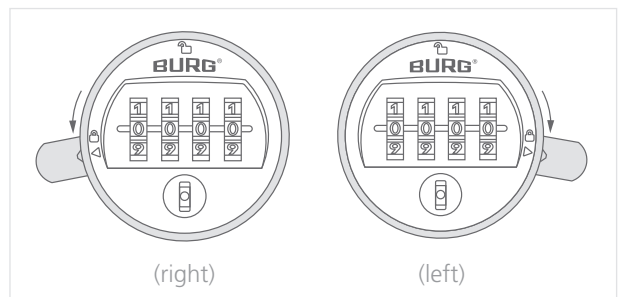
After the lock has been successfully opened or locked, the number wheels automatically reset to 0-0-0-0. There is no need to turn them manually.

Set the code (private mode)

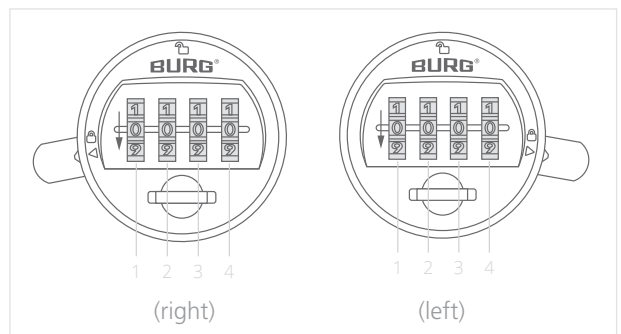
- 1 Set the code using the number wheels (default: 1-1-1-1).



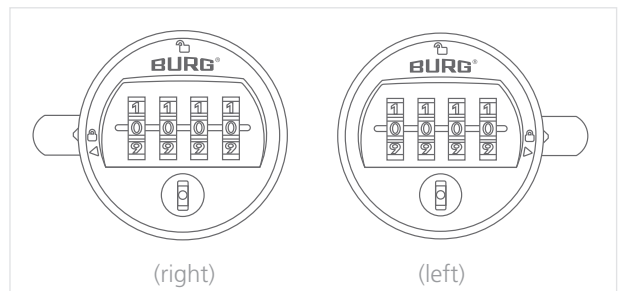
- 2 Turn the knob (about 10° downward) to activate the setting function.



- 3 Set new personal code.



- 4 Turn the knob back to its original position.



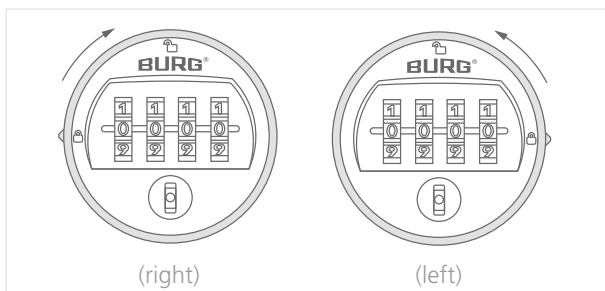
Operation

After opening or locking, the number wheels automatically reset to 0-0-0-0 (automatic user code scrambling).

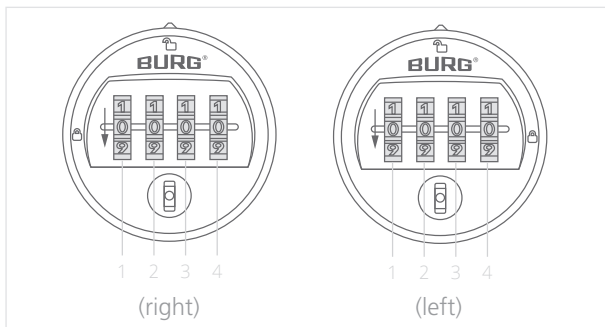
1 Multi-user mode

a) Lock

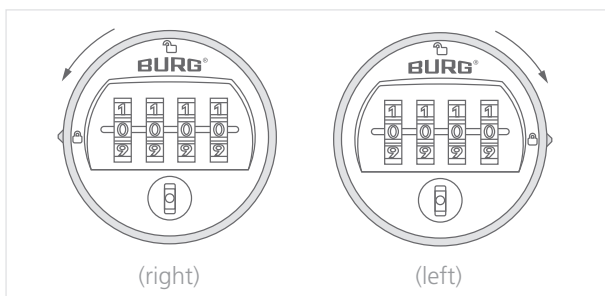
1. Turn the knob to open position.



2. Set code.

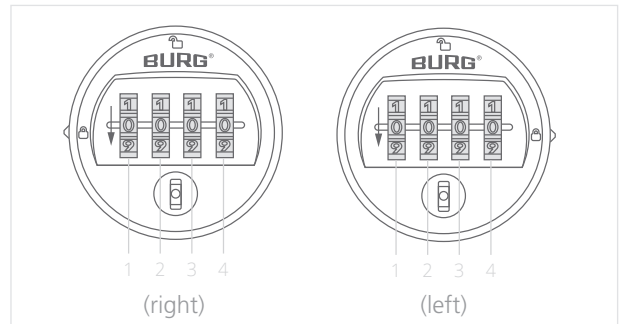


3. Turn the knob to closed position.

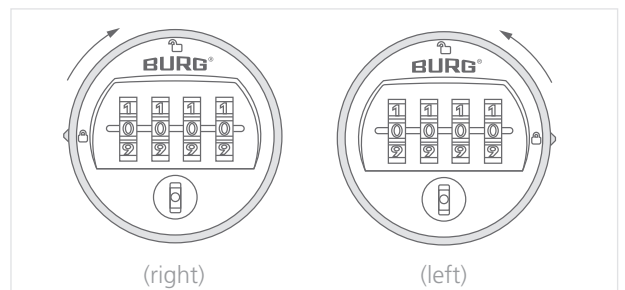


b) Unlock

1. Set current code.



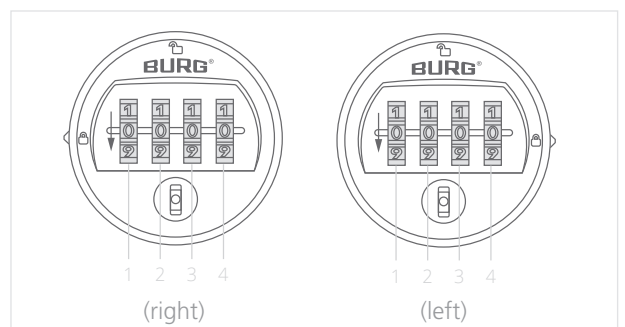
2. Turn the knob to open position.



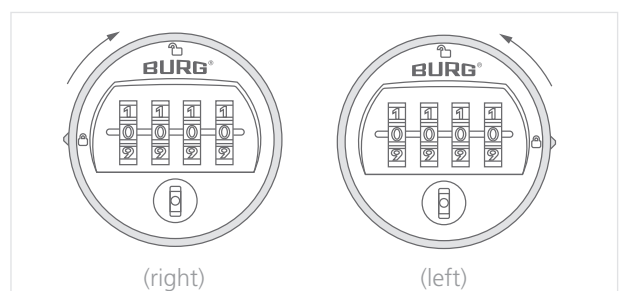
2 Private mode

a) Unlock

1. Set current code.



2. Turn the knob to open position.



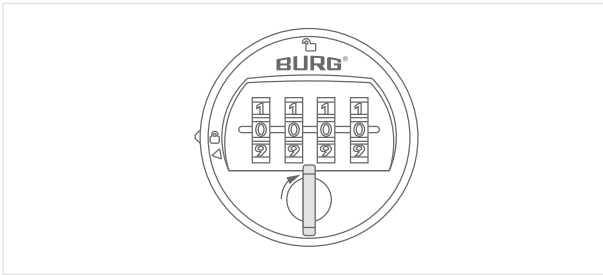
b) Lock

The lock closes automatically when turned back to the closed position.

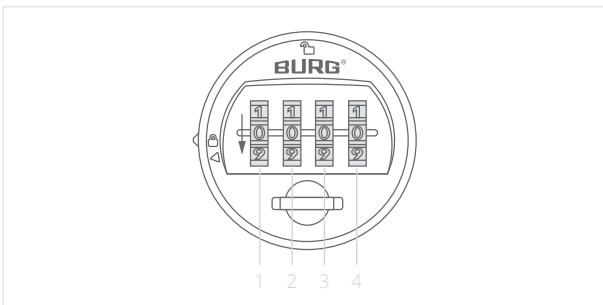
3 Unlock via Master key

Shown here as an example: sPinLock300 in Private Mode (right).

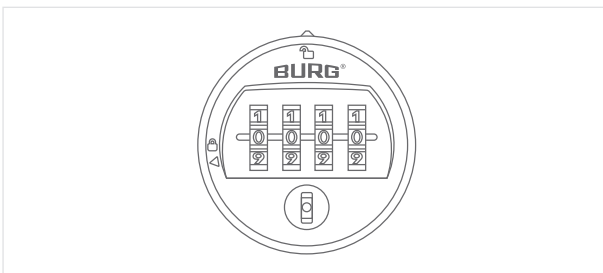
1. Insert the master key and turn it 90° to the right.



2. Turn the number wheels from top to bottom until each one locks into place. The valid code can then be read.



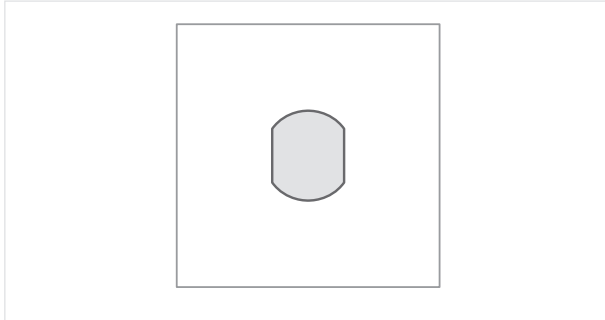
3. Remove the master key and turn the knob to the open position.



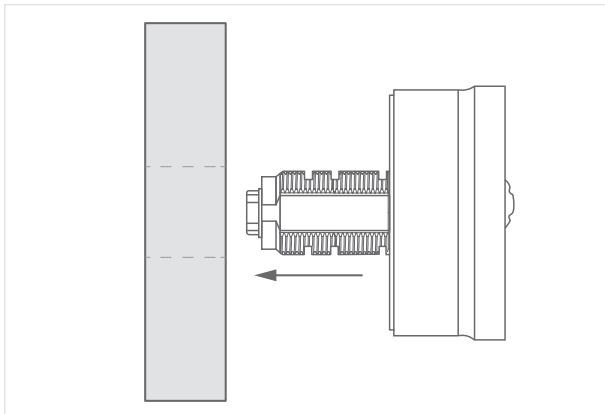
Assembly

Mounting dimensions and templates (STEP files) for milling, punching or lasering can be requested from BURG.

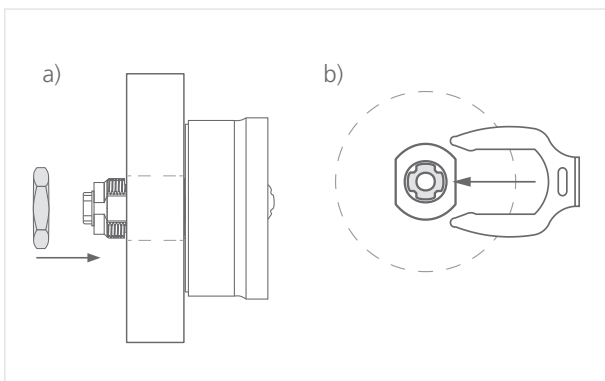
- 1 Prepare the mounting holes on the door front according to the installation dimensions (dimensions on p. 3).



- 2 Insert the lock from the front (outside of the door) into the mounting hole and hold it in this position. The lock must be straight and the BURG logo must be at the top.



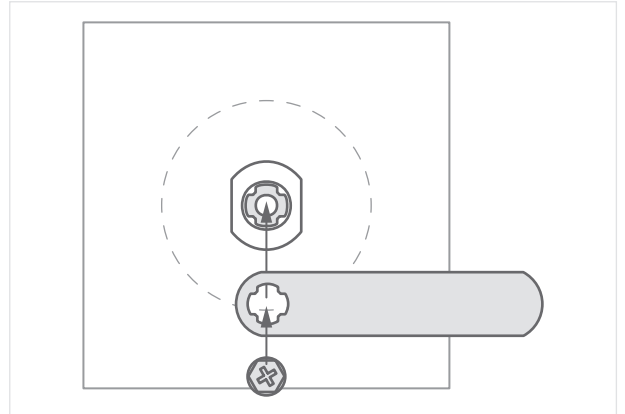
- 3 a) Place the M19 nut on the stator from behind and tighten hand-tight using a socket wrench (SW22).
b) Push the clamping spring from the side.



If the stator is secured using a clamping spring, a 16 x 19 mm hole may result in slight play. To ensure a secure and non-rotating fit, the hole must be as dimensionally accurate as possible.

Attach the cam. Tighten it with the cam fixing screw by hand using a cross-head screwdriver (e.g., size PH 2).

4



Check whether the cam is securely held in place on the strike plate or rebate when closed. When closing the locking system, it should be possible to turn the cam to its end position without applying pressure or resistance.

5

Note: An adjustable strike plate allows for optimal adjustment of the closing mechanism. More information can be requested from BURG.

Guarantee and Warranty

The warranty is subject to the statutory provisions. If you have any questions, please contact a specialist dealer or use the contact details below.

Contact

BURG Lüling GmbH & Co. KG

Volmarsteiner Str. 52
58089 Hagen (Germany)
+49(0)23 35 63 08-0

info@burg.de
www.burg.de