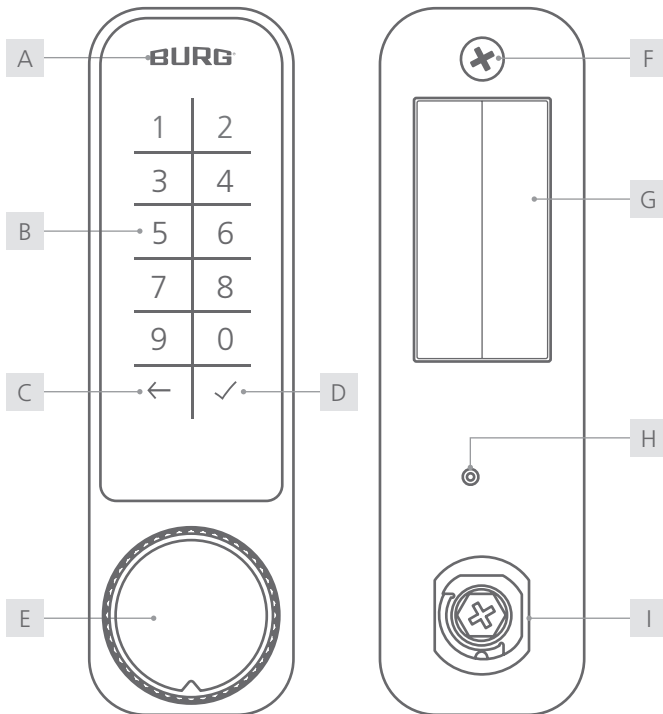




Niro.Code Operating Manual

Niro.Code



- | | |
|-----------------------|--------------------|
| A LED | B touchpad key |
| C cancel key | D confirmation key |
| E knob | F fixing screw |
| G battery compartment | H reset hole |
| I stator | |

General

The latest version of this guide is available at:
www.burg.de

Important notes:

- Please observe all important notes and read the entire operating manual before starting the configuration.
- Before putting the locking system into operation, refer to "Commissioning" on page 5.
- The control panel is supplied with a protective film. The protective film can be removed during commissioning.

Content

General.....	2
Technical data.....	3
Default settings.....	3
Scope of delivery.....	3
Optional accessories.....	3
Features.....	3
Product dimensions.....	4
Mounting dimensions.....	4
Functional description.....	4
LED & sound signals.....	5
Commissioning.....	5
Master code entry.....	5
Configuration.....	5 - 7
Operation.....	7
Assembly.....	8
Battery change.....	9
Conformity / Certification.....	10
Guarantee and warranty.....	10
Cleaning and care instructions.....	10
Disposal and battery note.....	10
Contact.....	10

To the video:
operation



To the video:
assembly



Factsheet

Front view



Back view



Technical Data	
Dimension	132 x 38 x 31.5 mm
Battery ¹	VARTA ¹ AAA (2x)
Locking cycles	approx. 30,000
Stand-by time	approx. 2 years
Material	housing: zamak stator: steel
Humidity (rel.)	0% - 95%
Temperature range	working temperature: -10°C to 50°C storage temperature: -15°C to 60°C
Degree of soiling	2
IP class	IP65
Application area	indoor / outdoor
Mounting dimension	stator: 16 mm x 19 mm screw: Ø 5 mm
Max. door thickness	22 mm
Lock attachment	M19 nut (1x) wood or steel screw M4 (1x)
Cam type	B
Locking direction	left (90°), door hinge: DIN right right (90°), door hinge: DIN left
Mode	multi-user mode (default), private mode
No. of possible codes	999,999
Code length	4- or 6-digit
No. of master codes	max. 1
No. of codes	max. 50 (private mode)

Default Settings	
Mode	multi-user mode
Master code	934716
Code length	4-digit
LED locking indication	on (multi-user mode)
Confirmation code	off

Scope of Delivery	
<ul style="list-style-type: none"> ▪ 1x locking system ▪ 1x rubber seal ▪ 1x M19 nut ▪ 1x steel screw M4 x 10 mm2 ▪ 1x wood screw M4 x 28 mm2 (for door thicknesses from 18 mm - 22 mm) ▪ 1x cam fixing screw (M5 x 5,8 mm) ▪ 1x locking direction disk 	

Optional Accessories	
<ul style="list-style-type: none"> ▪ battery (VARTA1 AAA) ▪ reset pin ▪ master key ▪ magnet for emergency opening ▪ cam type B (order-related) 	

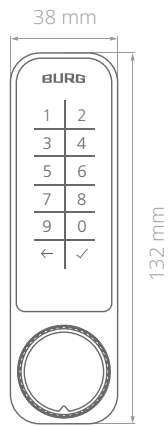
Features	
<ul style="list-style-type: none"> ▪ housing made of sturdy zamak with black powder coating ▪ integrated real-time clock (RTC) for individually definable time settings ▪ easy to retrofit, e.g. to replace mechanical locks ▪ IP65 protection (protection against dust and water jets) ▪ battery warning (visual and audible) ▪ option for mechanical emergency opening via master key 	

¹ The lock is approved for VARTA brand batteries. The use of other batteries may lead to malfunctions (s. point „battery note“).

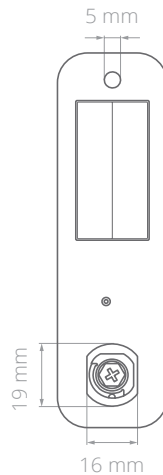
² The use of a screw with a different length may cause damage to the lock.

Product Dimensions

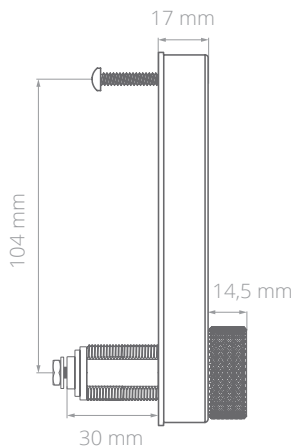
Front view



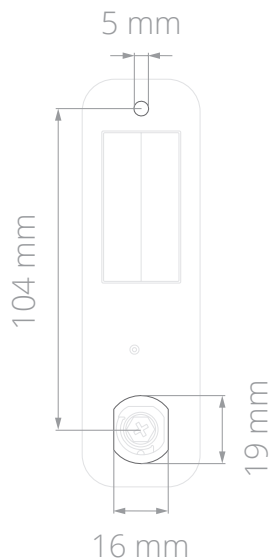
Back view



Side view



Mounting Dimensions³



Functional Description

Mode: multi-user authorization (multi-user mode)

This mode is suitable for changing user groups where the locker is only used temporarily or once, e.g. in a sports facility. Codes are valid for a single locking process and are deleted from the lock when the compartment is reopened. The lock remains open until a new code locks the lock again.

Mode: fixed assigned authorization (private mode)

In this mode, a code is preset with which the lock can be operated. This mode is suitable for user groups where the usage rights should not change permanently, e.g. for an office cabinet. The lock can only be operated with a stored code. Codes that are not stored are rejected by the lock.

Confirmation code (for multi-user mode)

To lock the lock, the code must be entered twice. The lock locks after the second entry. The second entry is made after the green LED flashes briefly. A simple code entry is sufficient to open the lock. This function can be turned on or off.

Block mode

If the code is entered incorrectly three times in succession, the lock locks for 45 seconds. The red LED flashes at short intervals. The lock cannot be operated during this period.

LED locking indication (for multi-user mode)

If the lock is locked, the red LED flashes at short intervals.

Automatic locking (for private mode)

After unlocking, the lock locks automatically after a few seconds.

Battery warning

If the battery voltage falls below a certain level (*phase 1*), five descending beeps sound when a transponder medium is presented and the red LED lights up. The lock can still be operated. If the voltage falls into the critical range (*phase 2*), the lock can no longer be operated.

Real-Time-Clock = RTC (for multi-user mode)

The lock has an integrated real-time clock, with which a fixed defined closure duration can be set.

Closure duration (RTC function, for multi-user mode)

The locking duration defines the maximum period for which a lock may be closed from the time it is locked. The lock opens automatically once the locking period has expired. The closure duration can be set in one-hour increments (between 1 and 24 hours).

¹ Mounting dimensions and templates (STEP files) for milling, punching or lasering can be requested from BURG.

LED & Sound Signals

Green and red LED (1x flashing) / signal tone (2x short)

Batteries inserted successfully. The lock is ready for operation.

Green LED (2x flashing) / signal tone (1x short)

Acceptance of authorized codes / successful opening process or successful configuration process.

Red LED (flashing)

The lock is locked or in block mode.

Red LED (flashes briefly) when code is entered

Battery power decreases.

Red LED (8x flashing)

Rejecting unauthorized codes or incorrect entry during the configuration process.

Green LED (1x flashing) / signal tone (1x short)

Successful canceling of an operating or configuration process.

Commissioning

The control panel is supplied with a protective film. The protective film can be removed during commissioning.

1 First steps

1. Remove the lock from the packaging, remove the protective film from the control panel and open the battery compartment (for help, see page 9 "Battery change").
2. Insert the batteries according to the (+ / -) symbols. Wait for the beep, the green and then the red LED. Close the battery compartment.
3. Set private master code (chapter: Configuration, point 1: „Master code setting“).

Master Code Entry

- Entering the master code always begins by pressing the hook button twice and the digit 1. The entry is always ended by pressing the hook button once.
- In multi-user mode, the code used for locking is deleted after the master code is entered.

1. Enter master code:

✓✓ 1 Mastercode ✓

The green LED flashing twice confirms the successful process.

Configuration

- Each configuration step is started by entering the master code, pressing the hook button twice and entering the corresponding digit.
- Entering the **master code** always begins by pressing the hook button twice and the **digit 1**. The entry is always ended by pressing the hook button once.
- Each configuration step is completed with the green LED flashing twice. Only then the next configuration step can be started.
- The red LED flashes 8 times to indicate that the configuration step has not been carried out correctly or the code / master code has not been entered correctly.
- Processes can be canceled using the "←" arrow button. The successful cancelation is confirmed by the beep and the green LED. The lock can then be operated as normal.

1 Master code setting

Up to **1** master code can be stored. The master code must be 6 digits long.

1. Enter old master code:

✓✓ 1 Mastercode ✓

Wait for the green LED flashing twice.

2. Set new master code:

✓✓ 7 xxx xxx ✓

The green LED flashing twice confirms the successful process.

2 Mode change

When the mode is changed, all functions are reset to the default settings. The master code is retained.

a) Multi-user mode

1. Enter master code:

✓✓ 1 Mastercode ✓

Wait for the green LED flashing twice.

2. Set the mode:

✓✓ 5 1 ✓

The green LED flashing twice confirms the successful process.

b) Private mode

When changing the mode to private mode, a private code must be set before use (chapter: Configuration, point **3b** "Set the code"). If no code is set, the lock cannot be locked.

1. Enter master code:

✓✓ **1** Mastercode ✓

Wait for the green LED flashing twice.

2. Set the mode:

✓✓ **5 0** ✓

The green LED flashing twice confirms the successful process.

3. Set the code.

3 Code configuration**a) Set the code length**

When the code length is changed, all codes stored in private mode are deleted (master code excluded).

1. Enter master code:

✓✓ **1** Mastercode ✓

Wait for the green LED flashing twice.

2. Set the code length (4-digit to default setting):

✓✓ **0 4** ✓ (4-digit)

✓✓ **0 6** ✓ (6-digit)

The green LED flashing twice confirms the successful process.

b) Set the code (private mode)

Up to 50 codes can be stored. The code length is 4 or 6 digits, depending on the setting.

1. Enter master code:

✓✓ **1** Mastercode ✓

Wait for the green LED flashing twice.

2. Set the code:

✓✓ **3** xxxx (xx) ✓

The green LED flashing twice confirms the successful process.

c) Delete the code (private mode)

1. Enter master code:

✓✓ **1** Mastercode ✓

Wait for the green LED flashing twice.

2. Delete the code:

✓✓ **9** xxxx (xx) ✓

The green LED flashing twice confirms the successful process.

4 Function setting**a) Confirmation code (multi-user mode)**

1. Enter master code:

✓✓ **1** Mastercode ✓

Wait for the green LED flashing twice.

2. Activate / deactivate mode:

✓✓ **2 1** ✓ (activate)

✓✓ **2 0** ✓ (deactivate)

The green LED flashing twice confirms the successful process.

b) LED locking indication (multi-user mode)

1. Enter master code:

✓✓ **1** Mastercode ✓

Wait for the green LED flashing twice.

2. Activate / deactivate mode:

✓✓ **8 1** ✓ (activate)

✓✓ **8 0** ✓ (deactivate)

The green LED flashing twice confirms the successful process.

c) Closure duration (multi-user mode)

The closure duration can be defined in one-hour increments for a maximum of 24 hours.

1. Enter master code:

✓✓ **1** Mastercode ✓

Wait for the green LED flashing twice.

2. Set the closure duration (x x = 01 to 24):

✓✓ 4 x x ✓ (activate)

✓✓ 4 0 ✓ (deactivate)

The green LED flashing twice confirms the successful process.

5 Reset to default settings

The **reset pin** is required for this process. The lock must be dismantled for this process (for help, see p. 8 "Assembly"). During this process all settings are reset to the default settings. All stored cards and transponder media are deleted.

1. Dismantle the lock.
2. Press the reset pin into the reset hole on the back of the lock for a few seconds.
3. Four beeps and the green LED flashing four times confirm the successful process.

Operation

Processes can be canceled using the "←" arrow button. The successful cancellation is confirmed by the beep and the green LED. The lock can then be operated as normal.

1 Multi-user mode

a) Lock

If the confirmation code is activated, the code used for locking must be entered **twice** in succession.

1. Enter code:

xxxx (xx)

The red LED confirms the successful process.

b) Unlock

1. Enter code:

xxxx (xx)

The green LED flashing twice confirms the successful process.

2 Private mode

a) Unlock

1. Enter code:

xxxx (xx)

The green LED flashing twice confirms the successful process.

b) Lock

The lock locks automatically within a few seconds. To close, press the door shut and turn the knob back to the starting position until it clicks into place.

3 Unlock via master code

In multi-user mode, the code used for locking is deleted after the master code is entered. In private mode, the stored codes are retained.

1. Enter master code:

✓✓ 1 Mastercode ✓

The green LED flashing twice confirms the successful process.

4 Unlock via master key

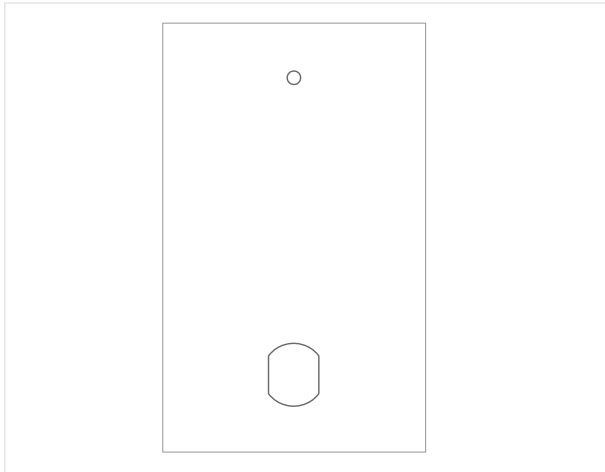
The **master key** and a magnet are required for this process.

1. Use the magnet to remove the knob cover.
2. Insert master key and open lock.
3. Turn the master key back, remove it and replace the knob cover.

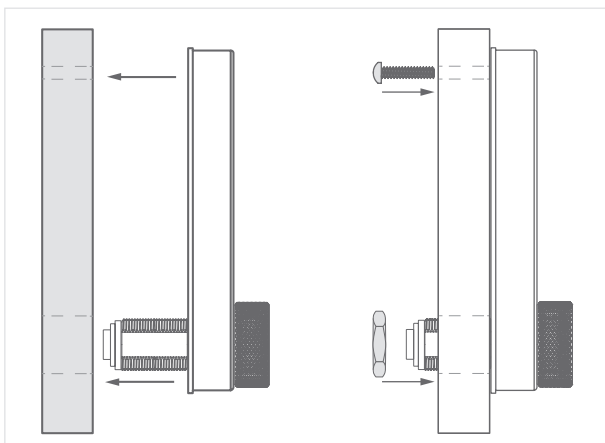
Assembly

Mounting dimensions and templates (STEP files) for milling, punching or lasering can be requested from BURG.

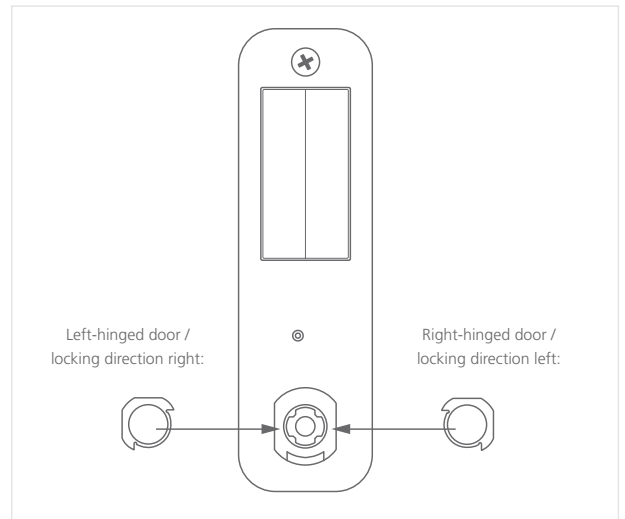
- 1 Prepare the mounting hole according to the mounting dimensions (measurements on p. 4).



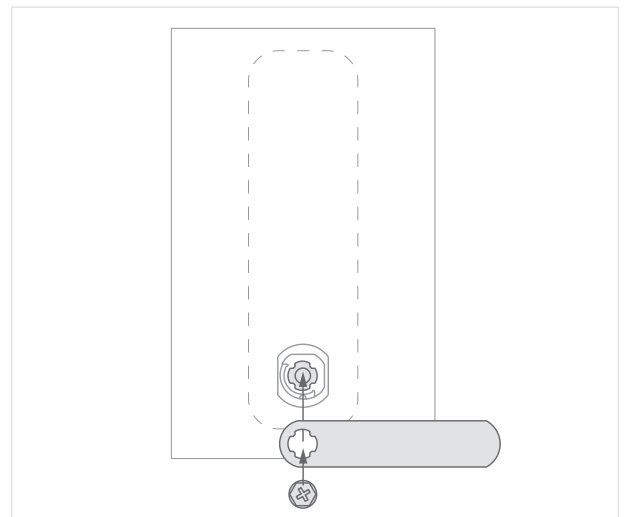
- 2 Insert the lock into the mounting hole from the front (outside of the door) and hold it in this position. Make sure that the BURG logo is at the top of the lock. Place the M19 nut on the stator from behind and tighten hand-tight using a socket wrench (SW22). Insert the fastening screw above the lock through the hole provided and screw it to the lock using a Phillips screwdriver (e.g. size PH 2).



- 3 Set the locking direction if required. On delivery, the locking direction is set to "left" (door hinge: DIN right). The locking direction can be adjusted in 90° steps. To do this, remove the locking direction disk from the stator, turn it 90° to the right and replace it.



- 4 Fit the cam and tighten it hand-tight using the enclosed cam fixing screw and a Phillips screwdriver (e.g. size PH 2).



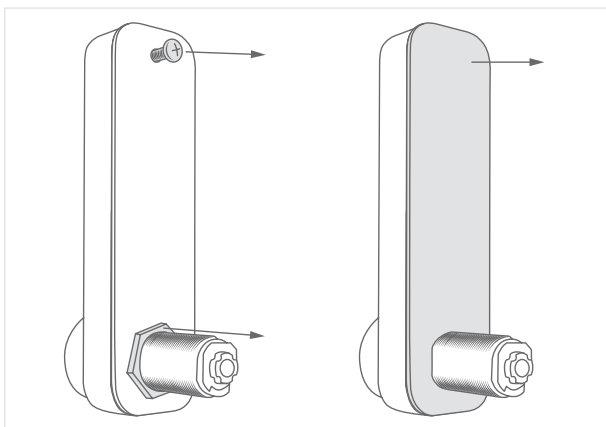
- 5 Then check whether the cam has sufficient hold on the striking plate or the rebate when closed. It should be possible to turn the cam to its end position without pressure or resistance when locking the locking system.

Note: The locking can be optimally adjusted using an adjustable striking plate. For more information, please get in touch with your contact at BURG.

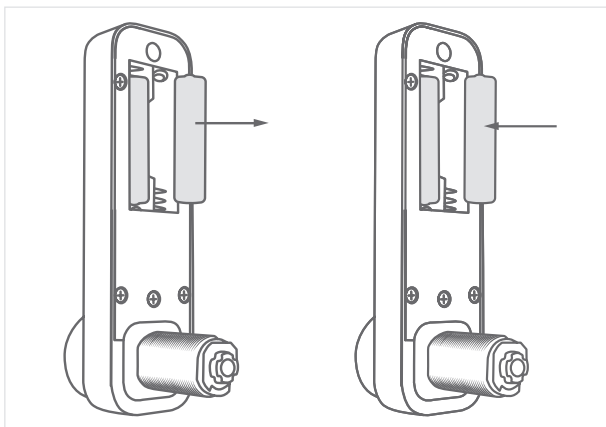
Battery Change

The locking system must be dismantled to change the battery.

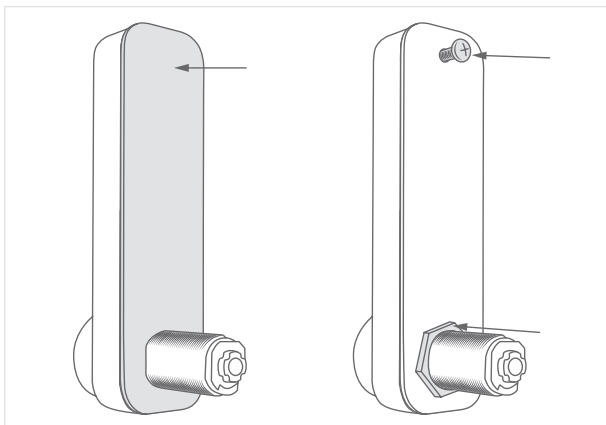
- 1 Dismantle the locking system (see page **8** "Assembly"). Remove the screw, nut and rubber seal.



- 2 Replace the batteries according to the (+/-) symbols.



- 3 Replace the rubber seal. Refit the locking system with the nut and screw (see page **8** "Assembly").



Conformity / Certification

CE Declaration of Conformity

Hereby, **BURG Lüling GmbH & Co. KG** declares that the radio equipment, type **Niro.Code**, is in conformity with directives 2014/30/EU, 2014/35/EU and 2011/65/EU. The full text of the EU Declaration of Conformity can be found at the following link:

https://www.burg.de/files/downloads/Declaration-of-Conformity/BURG_DoC_NiroCode_EN.pdf



Guarantee and Warranty

The warranty is subject to the statutory provisions. If you have any questions, please contact a specialist dealer or use the contact details below. Spare parts can be found at specialist dealers or at: www.burg.shop

Cleaning and Care Instructions

Remove the batteries before cleaning the appliance. Carefully clean the surfaces of the appliance with a damp, clean cloth. Chemical cleaning agents must not be used. Do not allow dust or liquids to enter the device.

Disposal and Battery Note

EU Directive 2012/19/EU regulates the proper take-back, treatment and recycling of used electronic devices.

Every consumer is legally obliged to dispose of batteries, rechargeable batteries or electrical and electronic devices ("old devices") that are powered by batteries or rechargeable batteries separately from household waste, as they contain harmful substances and valuable resources. They can be disposed of at an approved collection or take-back point, e.g. a local recycling center. Old appliances, batteries and rechargeable batteries are accepted there free of charge and recycled in an environmentally friendly and resource-saving manner. Old electrical appliances, used batteries or rechargeable batteries can also be returned to us. The return shipment must be sent with sufficient postage to the address below. The following symbol on waste electrical equipment, batteries or rechargeable batteries indicates that they must not be disposed of with household waste:



Important notes on the use of batteries:

- The use of high-quality brand batteries is essential for the correct functioning of the locking system. BURG locking systems are approved ex works for the specified industrial batteries of the VARTA brand. The use of batteries of other brands can lead to a reduced number of possible locking cycles as well as to limited functionality and functional problems, as experience has shown that batteries of other brands even with the same specifications have different performance characteristics. BURG does **not guarantee** the functionality of the locking system when using batteries of a brand other than those specified above.
- If both batteries are removed at the same time when changing the batteries or over a longer period of time, settings relating to the integrated real-time clock (RTC) will be lost.
- The battery may explode or release flammable gases if it is handled incorrectly, destroyed or the wrong type of battery is used. Do not recharge the battery, disassemble it, expose it to extremely high temperatures or throw it into a fire. Batteries containing harmful substances are labeled with abbreviations for the substances cadmium (Cd), mercury (Hg) and lead (Pb). If the lock is not used for a longer period of time, the batteries must be removed.

Contact

BURG Lüling GmbH & Co. KG

Volmarsteiner Str. 52
58089 Hagen (Germany)
+49(0)23 35 63 08-0

info@burg.de
www.burg.de