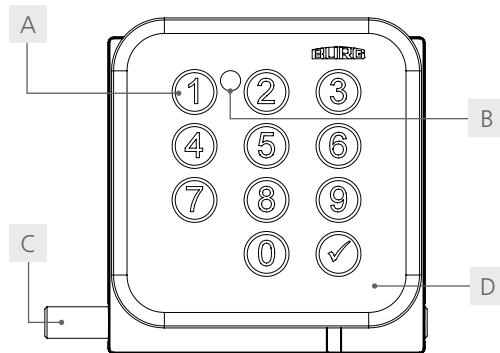




Keypad Outdoor IP54 Operating Manual

KeyPad Outdoor IP54



- A Touchpad buttons
- B Status LED
- C Latchbolt
- D Silicone pad

Content

Introduction.....	2
General.....	2
Default Settings.....	2
Technical Data.....	3
Scope of Delivery.....	3
Features.....	3
External power supply.....	3
Dimensions.....	3
Functional Description.....	4
Configuration.....	4-5
Operation.....	5
Battery Replacement.....	5
Disposal.....	5

Introduction

Dear Customer,
Thank you for choosing the **KeyPad Outdoor IP54** - the compact electronic code lock with vandal-proof silicone keypad.

Due to its innovative housing, the KeyPad is well protected against weather and environmental influences. Regardless of whether rain or jet water - the housing effectively protects against moisture and the innovative seals prevent the entry of dust or sand.

Important: Please note all warnings and read through the entire operating manual before you begin configuration.

We hope you enjoy using your new locking system.

Sincerely, BURG F.W. Lüling KG

General

The latest version of this guide is always available at:
www.burg.de

Default Settings

Mode	Multi User Mode
Master Code	934 716
Code length	4 digits
LED locking indication	On
Code confirmation	Off
Locking direction	left ¹

¹ Locking direction left for right-hinged doors.

Factsheet

Keypad



Back unit



Technical Parameters	
Dimensions in mm	Keypad: 68,9 x 68,9 x 11,3 Back unit: 70,4 x 70,4 x 24
Battery	1 x Lithium battery 3V, CR123A
Locking cycles	Approx. 45.000
Working temperature	0°C to +60°C (no formation of condensation)
Protection class	IP54
No. of code combinations	999.999
Code length	4 or 6 digits
Mode	Multi User Mode, Private Mode
Material	Keypad: Silicone Keypad core: Zamac Back unit: Plastic
Locking bolt	Plastic
Locking direction	L, R
Lock attachment	Raised countersunk screw 5x16, Torx 20
Max. door thickness	2 mm

Scope of Delivery

- Silicone keypad
- Back unit with battery compartment
- Battery
- Fixing screw

Features

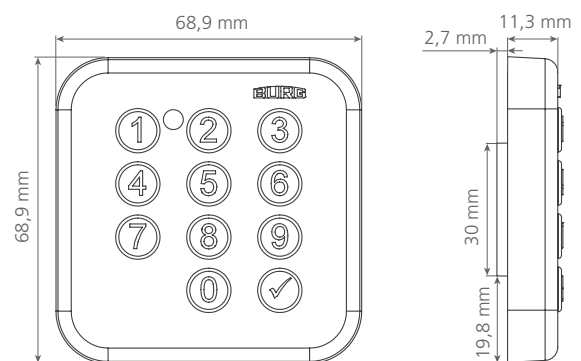
- Intuitive operation
- IP54 protection (even with salt water)
- UV and corrosion protection
- Compact dimensions
- Simple installation with only one screw
- Private and Multi User Mode
- Emergency opening function with Master Code

External power supply

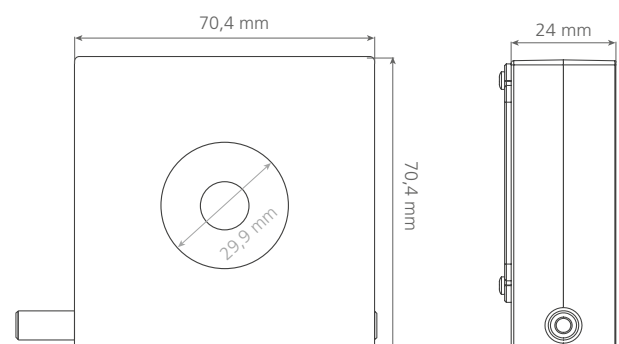
Is it necessary to operate the Keypad without battery but with an external power supply, for example in a mailbox system? On request, we can equip the locks with appropriate connecting cables of the desired length during production.

Dimensions

Keypad



Back unit



Functional Description

Mode: Fixed Assigned Authorization (Private Mode)

In this mode, a code is pre-set with which the lock can be operated. This mode is suitable for user groups where user rights do not have to change permanently e.g. in an office cabinet. To close, the user holds down the hook key. The lock is opened by entering a stored code. Up to 50 codes can be stored. A code that has not been stored is rejected by the lock.

Mode: Multi User Authorization (Multi User Mode)

This mode is suitable for constantly changing users who only use the compartment temporarily or once, e.g. in a sports facility. Codes are valid for a single locking process and are deleted by the lock when the compartment is reopened so that a new code can be used. The locking bolt remains open until a new code locks the lock again. Before locking, the door must be closed (slightly pressed). The user enters a code of choice (4 to 6 digits) to close and confirms the entry by pressing the hook key twice. The green LED starts flashing. The lock is opened by entering the same code.

LED Locking Indication

When the locking indicator is activated, the red LED flashes every second when the lock is locked. When the lock is open, the LED does not flash. This function can be switched on or off.

Code Confirmation

To close the lock, a double code entry is required, with the second entry confirming the first entry. The lock does not lock until the entry has been repeated. The second entry is made after the green LED flashes briefly. A simple code entry is sufficient to open the lock. This function can be switched on or off.

Battery Warning

If the battery capacity falls below a certain limit, the red LED lights up for three seconds after the code has been entered. If the critical range is reached, the lock can no longer be locked or can only be opened with Master Code.

Note: We recommend to change the battery after the first warning.

Master Code

The master code authorizes the programming of the lock. The lock can also be opened via the Master Code if the code is lost. In Multi User Mode, the code used for locking is deleted after entering the Master Code.

Note: Please program for your own safety your own Master Code prior to use.

Block Mode

After 4 failed opening attempts, the lock blocks for 45 seconds so that no code can be entered in the meantime. The locking time is indicated by the red LED flashing every second. The block mode can be cancelled by entering the Master Code.

Configuration

Each step of a configuration is completed with the green LED flashing twice. **It is absolutely necessary to start the next configuration step only after the green LED has flashed twice.** If the configuration step is not carried out correctly, the lock signals this by flashing the red LED 8 times in quick succession.

1 Select Mode

a) Private Mode

Enter Master Code	✓✓ 1 Master Code ✓
Set mode	✓✓ 5 0 ✓

Note: To set the private codes, please go to point 3a „Set the code“.

b) Multi User Mode

Enter Master Code	✓✓ 1 Master Code ✓
Set mode	✓✓ 5 1 ✓

Note: After changing the mode, all functions are reset to the default settings. This does not apply to the master code.

2 Set the Code Length

Enter Master Code	✓✓ 1 Master Code ✓
Select number of digits	✓✓ 0 x ✓
	4 digits: x = 4
	6 digits: x = 6

Note: After changing the number of digits, all codes stored in Private Mode are deleted.

3 Set Functions

Depending on the mode, certain functions are available for configuration. Set the functions assigned to the mode according to your requirements.

a) Configuration in Private Mode

Set the code

Enter Master Code	✓✓ 1 Master Code ✓
Set code	✓✓ 3 xxxx (xx) ✓

Up to 50 private codes can be stored. Depending on the set code length, these must have 4 or 6 digits

Delete the code

Enter Master Code	✓✓ 1 Master Code ✓
Delete code	✓✓ 9 xxxx (xx) ✓

Enter the code you want to delete.

b) Configuration in Multi User Mode

Activate/ deactivate code confirmation

Enter Master Code	✓✓ 1 Master Code ✓
Activate	✓✓ 2 1 ✓
Deactivate	✓✓ 2 0 ✓

c) Set General Functions

The following functions can be configured regardless of the mode set.

Set own Master Code

Enter current Master Code	✓✓ 1 Master Code ✓
Enter new Master Code	✓✓ 7 xxx xxx ✓

The Master Code must be 6 digits long.

Activate/ deactivate LED locking indication

Enter Master Code	✓✓ 1 Master Code ✓
Activate	✓✓ 8 1 ✓
Deactivate	✓✓ 8 0 ✓

Set right/ left usage

Enter Master Code	✓✓ 1 Master Code ✓
Set locking direction	✓✓✓ x ✓
	left: x = 4
	right: x = 6

Operation

1 Operation in Private Mode

Lock	„✓“ (hold down)
Unlock	Enter code

2 Operation in Multi User Mode

Lock	Enter code + ✓✓
Unlock	Enter code

3 Enter the Master Code

The Master Code must always be entered as follows:

Enter Master Code	✓✓ 1 Master Code ✓
-------------------	--------------------

Note: When unlocking in Multi User Mode by the Master Code, the code used for locking is deleted after entering the Master Code.

Battery Replacement

- 1 Loosen the battery cover screws on the back.
- 2 Remove the battery cover.
- 3 Remove the battery.
- 4 Insert new battery according to +/- icons.
- 5 Close the battery cover with the screws on the back.

Disposal

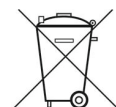
Electrical and electronic equipment („old devices“) as well as batteries and accumulators may not be disposed of with household waste. For proper disposal, these devices must be brought to a designated collection point.

Every consumer is legally obliged to dispose of batteries or rechargeable batteries or devices, which are operated with batteries or rechargeable batteries separately from the household waste, as they contain pollutants and valuable resources. Disposal may take place at an approved collection point. This can be, for example, a local recycling center. Old electrical appliances, batteries or rechargeable batteries are accepted there free of charge and used for environmentally beep and resource-efficient recycling.

You can also return your old electrical appliances or used batteries to us. The return must be done in each case sufficiently franked:

BURG F.W. Lüling KG
Volmarsteiner Straße 52
58089 Hagen

On batteries containing harmful substances you will find information in the form of abbreviations on the ingredients cadmium (Cd), mercury (Hg) and lead (Pb). Batteries are marked with the following symbol, which means that they must not be disposed of with household waste:



BURG F.W. Lüling KG

Hegestraße 6
58300 Wetter (Germany)
Fon +49(0) 23 35/63 08-0
Fax +49(0) 23 35/63 08-999
info@burg.de
www.burg.de