



Flexo.Code Operating Manual

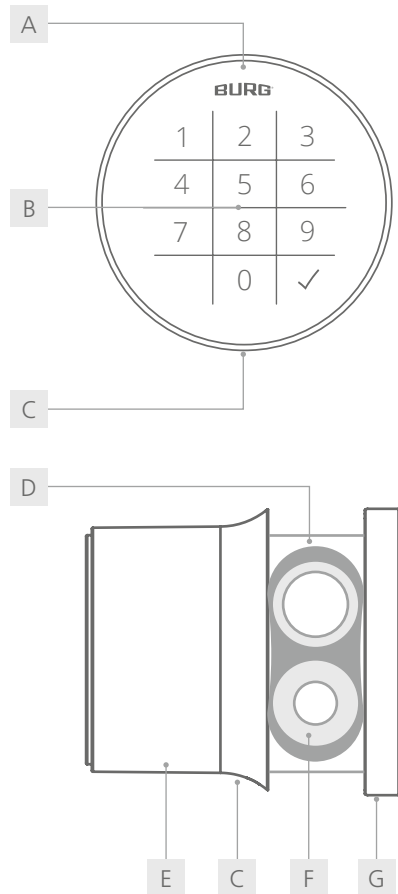


reddot winner 2023



GERMAN
DESIGN
AWARD
WINNER
2024

Flexo.Code



- | | |
|--------------------------|------------------------------|
| A LED | B touchpad key |
| C closure hole | D battery compartment |
| E housing | F battery |
| G operating panel | |

General

The latest version of this guide is available at:
www.burg.de

Important notes:

- Please observe all important notes and read the entire operating manual before starting the configuration.
- Before putting the locking system into operation, refer to "Commissioning" on page 5 and check the battery capacity. (For help, see "Battery warning" on page 5.)
- If you lose the master code, please contact our service or your contact person at BURG.

Content

General.....	2
Technical data.....	3
Default settings.....	3
Scope of delivery.....	3
Optional accessories.....	3
Features.....	3
Mounting dimensions.....	4
Product dimensions.....	4
Functional description.....	5
LED signals.....	5
Commissioning.....	5
Master code entry.....	6
Configuration.....	6 - 7
Operation.....	8
Assembly RetroFit.....	9
Assembly FlushFit.....	10
Battery change with Flexo.Tool.....	11
Battery change with opening needle.....	12
Conformity / Certification.....	13
Guarantee and warranty.....	13
Cleaning and care instructions.....	13
Disposal and battery note.....	13
Information on battery life.....	13
Contact.....	13

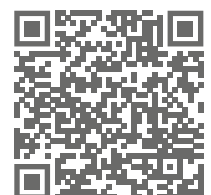
To the video:
operation



To the video:
assembly (FlushFit)



To the video:
assembly (RetroFit)



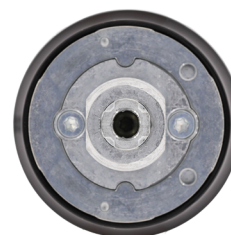
For online viewing, click on QR codes.

Factsheet

Front view



Back view



Technical Data

Dimension	Ø 50 mm
Battery ¹	VARTA ¹ 1/2 AAH-R (2x) 850 mAh, CR High Power
Locking cycles	up to 30.000 ²
Material	housing: plastic stator: zamak
Humidity (rel.)	10% - 80%
Temperature range	working temperature: 0°C to 55°C storage temperature: -20°C to 70°C
Degree of soiling	2
IP class	IP30
Application area	indoor
Mounting dimension	RetroFit: 16 mm x 19 mm FlushFit: 44,55 mm x 46,5 mm
Max. door thickness	22 mm
Lock attachment	RetroFit: M19 nut (1x) FlushFit: Flexo.Nut (1x)
Cam type	B
Locking direction	left (90°), door hinge: DIN right right (90°), door hinge: DIN left
Mode	multi-user mode (default), private mode
No. of possible codes	999,999
Code length	4- / 6-digit
No. of master codes	max. 1
No. of user codes	max. 50 (private mode)

Default Settings

Mode	multi-user mode
Master code	934716
Code length	4-digit
Locking	manually
LED locking indication	on
Confirmation code	off

Scope of Delivery

- 1x locking system
- 1x cam fixing screw³ (M6 x 12 mm)
- 1x M19 nut (Assembly: RetroFit)
- 1x Flexo.Ring (mounted) / Flexo.Nut (Assembly: FlushFit)

Optional Accessories

- battery (VARTA¹ 1/2 AAH-R)
- anti-twist protection (W-MSZ-01)
- opening needle / Flexo.Tool
- cam type B (order-related)

Features

- ergonomic handling and high-quality design
- external battery access and battery change
- integrated real-time clock (RTC)
- high-quality keyboard with tactile feedback
- easy to retrofit, e.g. to replace mechanical locks
- adjustable cam (in 90° steps)

¹ The lock is approved for VARTA brand batteries. The use of other batteries may lead to malfunctions (s. point „battery note“).

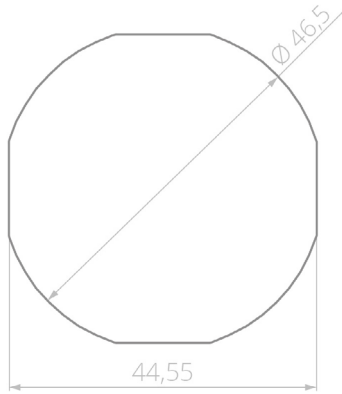
² Test value for consecutive locking cycles with one set of VARTA batteries. In everyday use, factors such as usage profile, temperature-dependent self-discharge, battery quality, and the standby current of the electronics limit the achievable number of cycles. The actual number may therefore vary. For further information, see p. 13 "Information on battery life".

³ The use of a screw with a different length may cause damage to the lock.

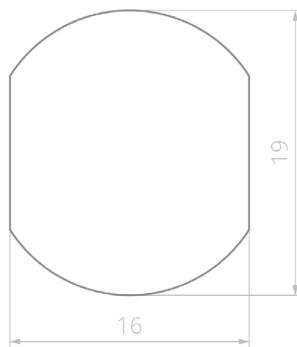
Mounting Dimensions ¹

All dimensions are in millimeters.

FlushFit

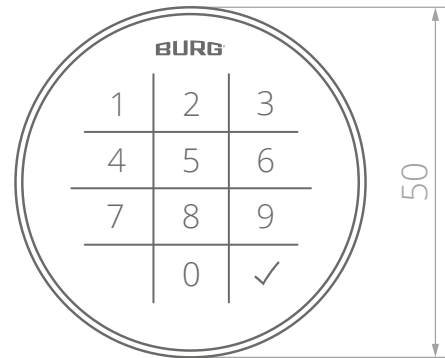


RetroFit



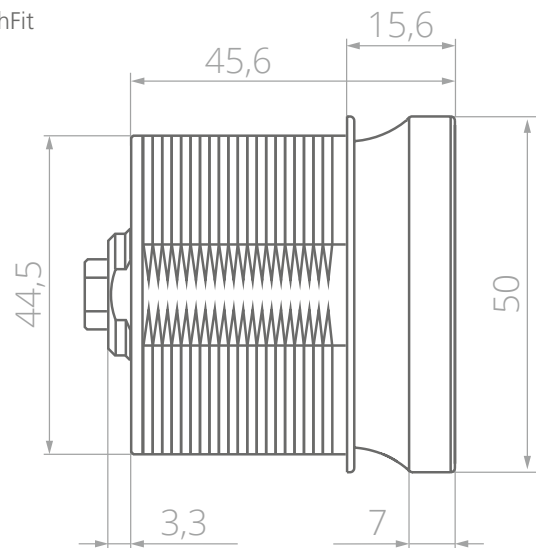
Product Dimensions ¹

Frontview

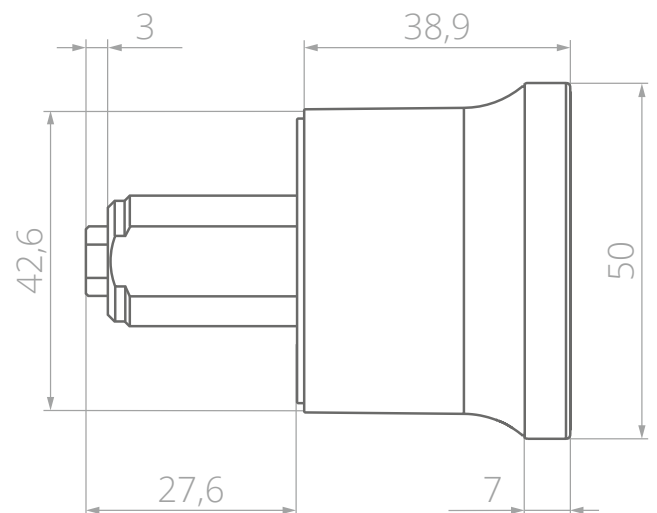


Sideview

FlushFit



RetroFit



¹ Mounting dimensions and templates (STEP files) for milling, punching or lasering can be requested from BURG.

Functional Description

Mode: multi-user authorization (multi-user mode)

This mode is suitable for changing user groups where the locker is only used temporarily or once, e.g. in a sports facility. Codes are valid for a single locking process and are deleted from the lock when the compartment is reopened. The lock remains open until a new code locks the lock again.

Mode: fixed assigned authorization (private mode)

In this mode, a code is preset with which the lock can be operated. This mode is suitable for user groups where the usage rights should not change permanently, e.g. for an office cabinet. The lock can only be operated with a stored code. Codes that are not stored are rejected by the lock.

Confirmation code (for multi-user mode)

To lock the lock, the code must be entered twice. The lock locks after the second entry. The second entry is made after the green LED flashes briefly. A simple code entry is sufficient to open the lock. This function can be turned on or off.

LED locking indication

If the lock is locked, the red LED flashes at short intervals. This function can be turned on or off.

Battery warning

If the battery voltage falls below a certain level (*phase 1*), the red LED lights up for a few seconds when the code is entered. The lock can still be operated. If the voltage drops further (*phase 2*), the lock can no longer be operated. If the voltage falls into the critical range (*phase 3*), the lock can no longer be operated.

Master code

The master code authorizes the programming of the lock. In addition, the master code can unlock the lock independently of the set mode (emergency opening) and terminate the block mode. In multi-user mode, the code used for locking is deleted after the master code is entered.

Note: We recommend programming a private master code during commissioning.

Automatic locking (for private mode)

After unlocking, the lock locks automatically after a few seconds. The latch function allows the door to be closed by pressing slightly. This function can be turned on or off.

Block mode

If the code is entered incorrectly three times in succession, the lock locks for 45 seconds. The red LED flashes at short intervals. The lock cannot be operated during this period. The block mode can also be ended by entering the master code.

Real-Time-Clock = RTC

The lock has an integrated real-time clock that enables time-related settings. If time-related settings are required, these must be specified when ordering. The functions are configured at BURG.

Automatic locking / unlocking (RTC function)

Automatic locking and unlocking takes place at set times. The times can be defined for each day of the week.

Usage period (RTC function)

The lock can only be used within a defined period of time. The lock cannot be operated outside this period. The usage period can be defined for each day of the week.

Closure duration (RTC function)

The locking duration defines the maximum period for which a lock may be closed from the time it is locked. The lock opens automatically once the locking period has expired. The locking duration can be defined for each day of the week.

LED Signals

Green LED (flashes briefly)

Acceptance of authorized codes.
Successful opening process.
Successful configuration process.

Green LED (flashing)

The lock is in configuration mode.

Red LED (flashing)

Closed state / block mode.

Red LED (flashes briefly)

Cancel an entry.

Red LED (flashes briefly after code entry)

Battery power decreases.

8x Red LED

Rejection of unauthorized codes.
Incorrect entry during the configuration process.

Commissioning

1 First steps

1. Remove the lock from packaging and open the battery compartment (for help, see page **11/12** "Battery change").
2. Insert the batteries according to the (+ / -) symbols. Wait for the **green** LED to light up, followed by the **red** LED. Close the battery compartment. The lock is now ready for use.
3. Set private master code (chapter: Configuration, point 1: „Master code setting“).

Master Code Entry

- The **master code** is always entered by pressing **2x** the hook key followed by the **digit 1** and ended by pressing **1x** the hook key.
- In multi-user mode, the code used for locking is deleted after the master code is entered.

1. Enter master code:

✓✓ 1 master code ✓

The **green** LED flashing **2x** confirms the successful process.

Configuration

- Each configuration step is started by entering the master code, **2x** hook key and entering the corresponding digit.
- The **master code** is always entered by pressing **2x** the hook key followed by the **digit 1** and ended by pressing **1x** the hook key.
- Each configuration step is completed with the **green** LED flashing **2x**. Only then the next configuration step can be started.
- The **red** LED flashes **8x** to indicate that the configuration step has not been carried out correctly or the code / master code has not been entered correctly.

1 Master code setting

Up to **1** master code can be stored. The master code must be 6 digits long.

1. Enter old master code:

✓✓ 1 master code ✓

Wait for the **green** LED flashing **2x**.

2. Set new master code:

✓✓ 7 xxx xxx ✓

The **green** LED flashing **2x** confirms the successful process.

2 Mode change

When changing modes, all functions are reset to the default settings. The master code remains unchanged

a) Multi-user mode

1. Enter master code:

✓✓ 1 master code ✓

Wait for the **green** LED flashing **2x**.

2. Set the mode:

✓✓ 5 1 ✓

The **green** LED flashing **2x** confirms the successful process.

a) Private mode

When switching to private mode, a private code must be set before use (chapter: Configuration, step 3b "Set code"). If no code is set, the lock cannot be locked.

1. Enter master code:

✓✓ 1 master code ✓

Wait for the **green** LED flashing **2x**.

2. Set the mode:

✓✓ 5 0 ✓

The **green** LED flashing **2x** confirms the successful process.

3. Set the code.

3 Code configuration

a) Set the code length

When the code length is changed, all codes stored in private mode are deleted (master code excluded).

1. Enter master code:

✓✓ 1 master code ✓

Wait for the **green** LED flashing **2x**.

2. Set the code length (4-digit to default setting):

✓✓ 0 4 ✓ (4-digit)

✓✓ 0 6 ✓ (6-digit)

The **green** LED flashing **2x** confirms the successful process.

b) Set the code (private mode)

Up to 50 codes can be stored. The code length is 4 or 6 digits, depending on the setting.

1. Enter master code:

✓✓ 1 master code ✓

Wait for the **green** LED flashing **2x**.

2. Set the code:

✓✓ 3 xxxx (xx) ✓

The **green** LED flashing **2x** confirms the successful process.

c) Delete the code (private mode)

1. Enter master code:

✓✓ 1 master code ✓

Wait for the **green** LED flashing **2x**.

2. Delete the code:

✓✓ 9 xxxx (xx) ✓

The **green** LED flashing **2x** confirms the successful process.

4 Function setting

a) Automatic locking (private mode)

1. Enter master code:

✓✓ 1 master code ✓

Wait for the **green** LED flashing **2x**.

2. Activate / deactivate mode:

✓✓ 6 1 ✓ (activate)

✓✓ 6 0 ✓ (deactivate)

The **green** LED flashing **2x** confirms the successful process.

b) Confirmation code (multi-user mode)

1. Enter master code:

✓✓ 1 master code ✓

Wait for the **green** LED flashing **2x**.

2. Activate / deactivate mode:

✓✓ 2 1 ✓ (activate)

✓✓ 2 0 ✓ (deactivate)

The **green** LED flashing **2x** confirms the successful process.

c) LED locking indication

1. Enter master code:

✓✓ 1 master code ✓

Wait for the **green** LED flashing **2x**.

2. Activate / deactivate mode:

✓✓ 8 1 ✓ (activate)

✓✓ 8 0 ✓ (deactivate)

The **green** LED flashing **2x** confirms the successful process.

Operation

1 Multi-user mode

a) Lock

If the confirmation code is activated, the code used for locking must be entered **2x** in succession.

1. Enter code:

xxxx (xx)

The **green** LED flashing confirms the successful process.

b) Unlock

1. Enter code:

xxxx (xx)

The **green** LED flashing confirms the successful process.

2 Private mode

a) Unlock

1. Enter code:

xxxx (xx)

The **green** LED flashing confirms the successful process.

b) Lock (manually)

1. Enter code:

xxxx (xx)

The **green** LED flashing confirms the successful process.

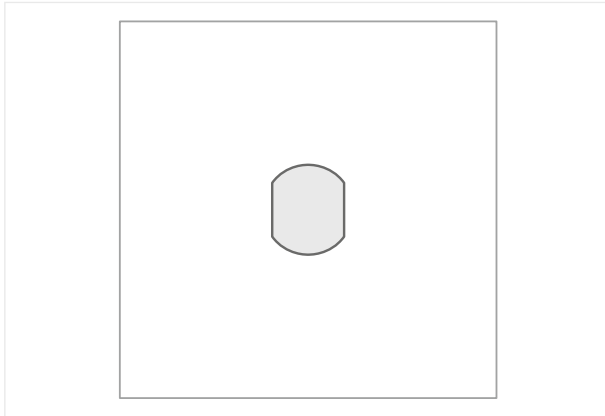
c) Lock (automatically)

1. When automatic locking is activated, the lock locks automatically after a few seconds. To close the door, press it shut and turn the knob back to the starting position (logo on top) until it clicks into place.

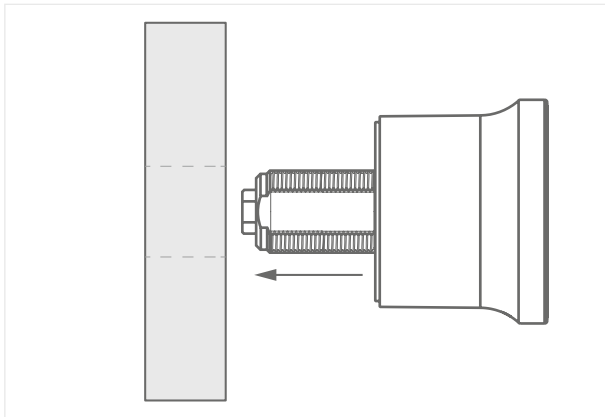
Assembly RetroFit

Mounting dimensions and templates (STEP files) for milling, punching or lasering can be requested from BURG.

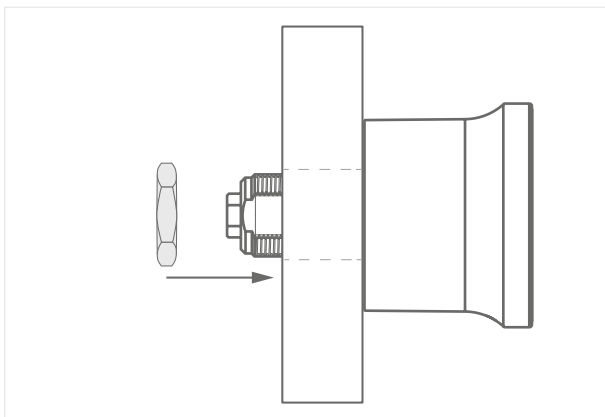
- 1 Prepare the mounting holes on the door front according to the installation dimensions (dimensions on p. 4).



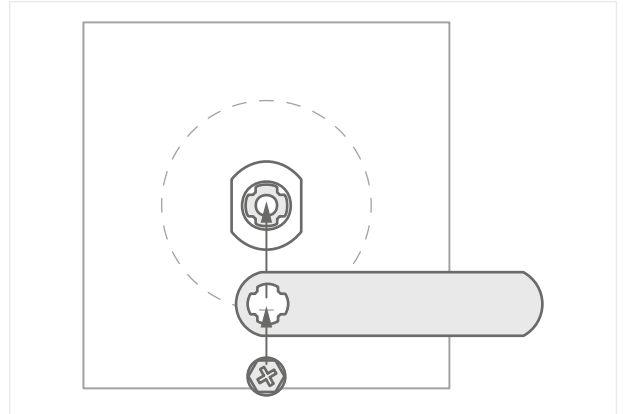
- 2 Insert the lock from the front (outside of the door) into the mounting hole and hold it in this position. The lock must be straight and the BURG logo must be at the top.



- 3 Place the M19 nut on the stator from behind and tighten it by hand using a socket wrench (SW22).



- 4 Attach the cam. Tighten it with the cam fixing screw by hand using a cross-head screwdriver (e.g., size PH 2).



- 5 Check whether the cam is securely held in place on the strike plate or rebate when closed. When closing the locking system, it should be possible to turn the cam to its end position without applying pressure or resistance.

Note: An adjustable strike plate allows for optimal adjustment of the closing mechanism. More information can be requested from BURG.

To the video:
assembly (RetroFit)

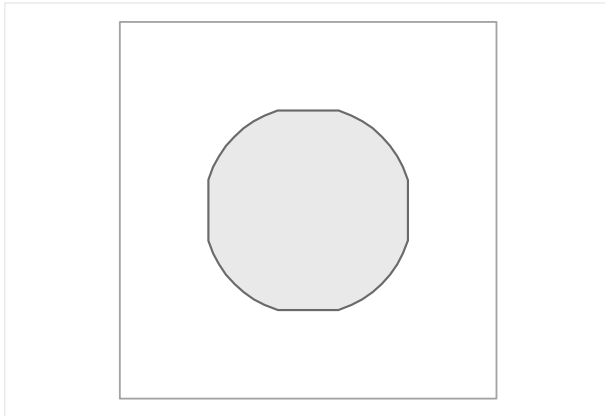


For online viewing,
click on QR codes.

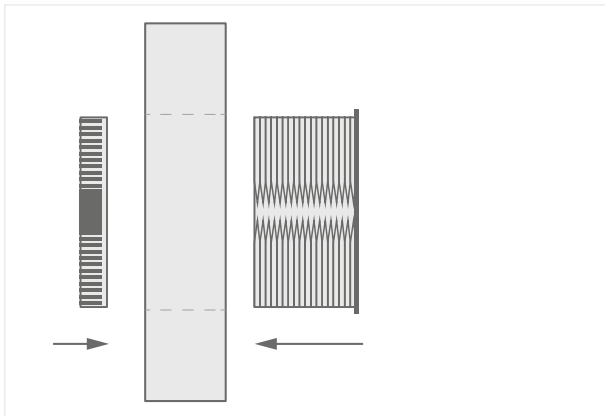
Assembly FlushFit

Mounting dimensions and templates (STEP files) for milling, punching or lasering can be requested from BURG.

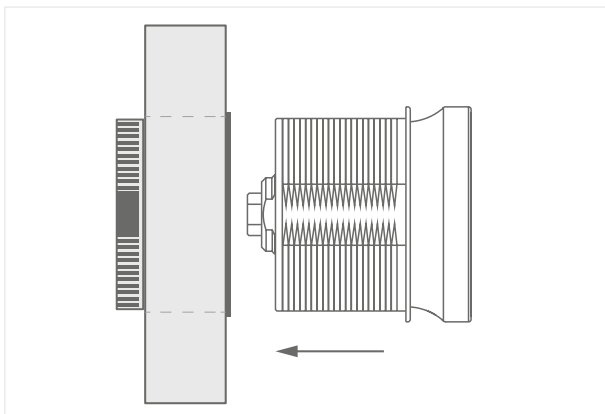
- 1 Prepare the mounting holes on the door front according to the installation dimensions (dimensions on p. 4).



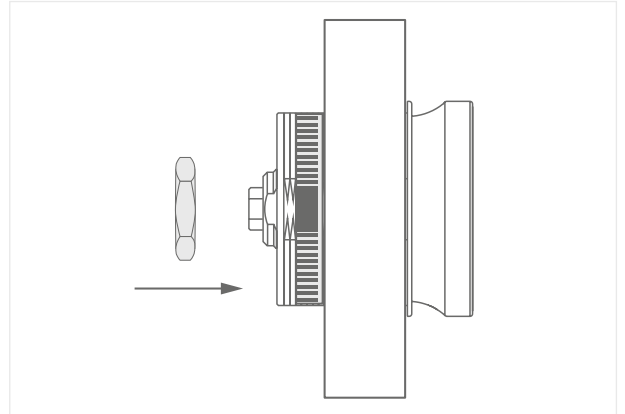
- 2 Insert the Flexo.Ring from the front (outside of the door) into the mounting hole and secure it with the ring nut.



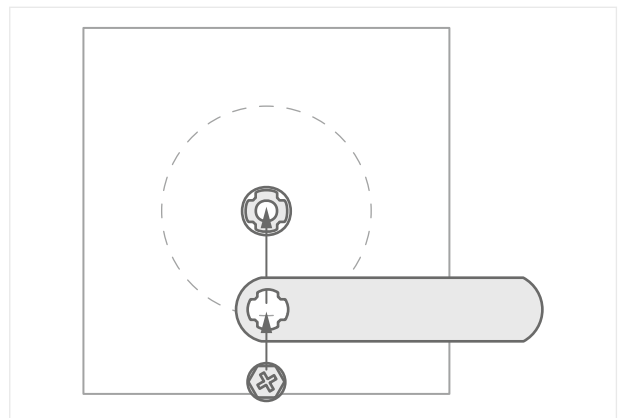
- 3 Insert the lock from the front (outside of the door) into the mounting hole and hold it in this position. The lock must be straight and the BURG logo must be at the top.



- 4 Place the Flexo.Nut on the stator from behind and tighten it by hand using a socket wrench (SW22).



- 5 Attach the cam. Tighten it with the cam fixing screw by hand using a cross-head screwdriver (e.g., size PH 2).



Check whether the cam is securely held in place on the strike plate or rebate when closed. When closing the locking system, it should be possible to turn the cam to its end position without applying pressure or resistance.

Note: An adjustable strike plate allows for optimal adjustment of the closing mechanism. More information can be requested from BURG.

To the video:
assembly (FlushFit)

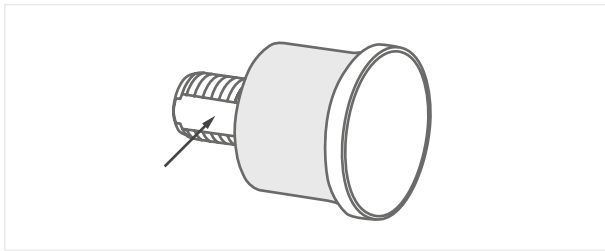


For online viewing,
click on QR codes.

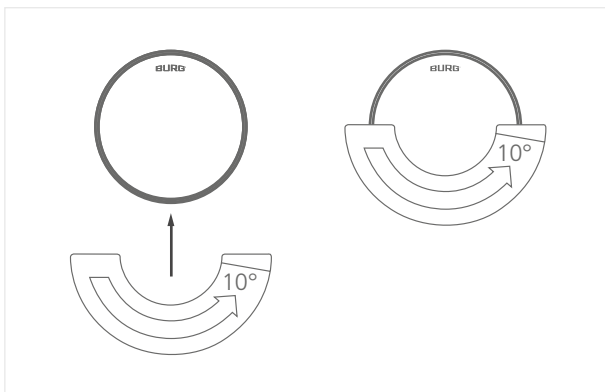
Battery Change with Flexo.Tool

The **Flexo.Tool** is required for this battery change option. To open the battery compartment, simply twist the housing (shown as the gray area in the sketches).

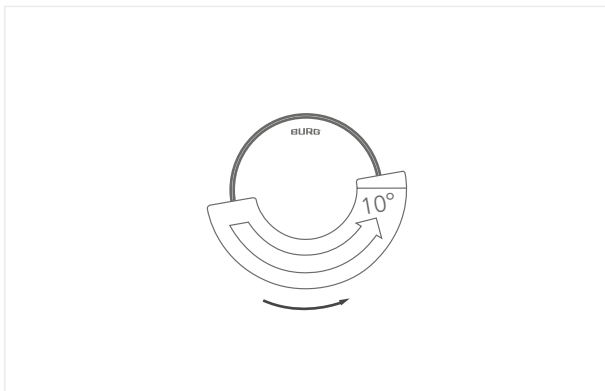
- 1 When disassembled, the lock must be held in place on the stator. When assembled, the lock does not need to be held in place.



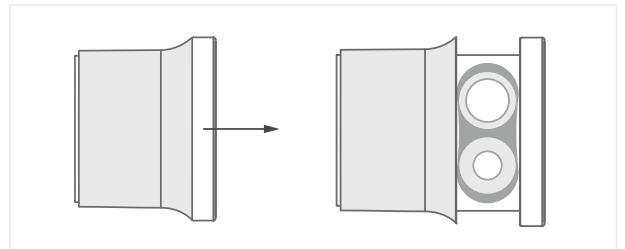
- 2 Carefully insert Flexo.Tool into the hole below the control unit until you feel resistance, then press lightly.



- 3 Hold Flexo.Tool in position and turn the tool with the housing (see sketch 1 above) approximately 10° counterclockwise. The control panel is not turned during this process.

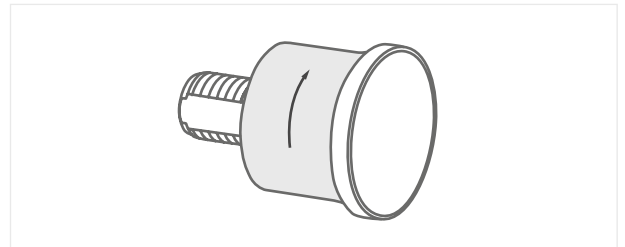


- 4 Remove Flexo.Tool and pull the control panel forward.



- 5 Remove the battery compartment cover. Replace the batteries according to the (+/-) symbols and replace the battery compartment cover.

- 6 Push the control panel back. Carefully turn the housing clockwise back until it clicks into place.



To the video:
Battery change

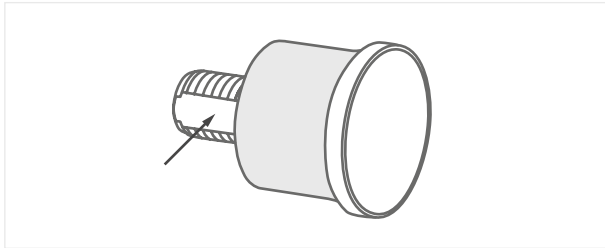


For online viewing,
click on QR codes.

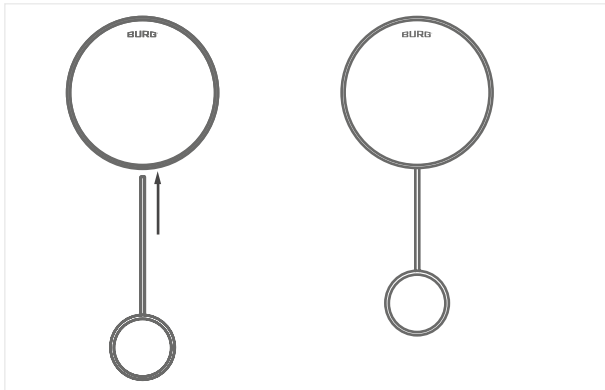
Battery Change with opening needle

The **opening needle** is required for this battery change option. To open the battery compartment, simply twist the casing (shown as the gray area in the sketches).

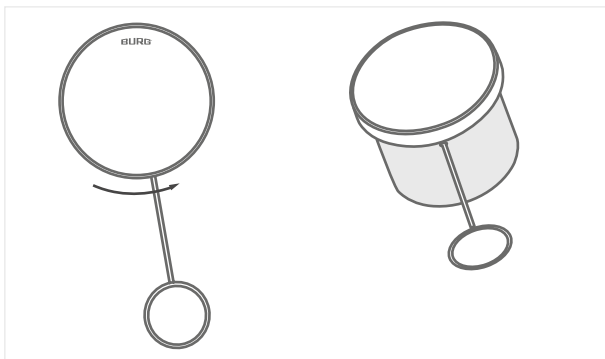
- 1 When disassembled, the lock must be held in place on the stator. When assembled, the lock does not need to be held in place.



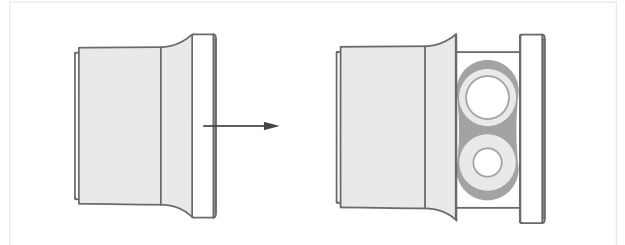
- 2 Carefully insert the opening needle into the hole below the control unit until you feel resistance, then press lightly.



- 3 Hold the opening needle in position and turn the needle with the housing (see sketch 1 above) approximately 10° counterclockwise. The control panel is not turned during this process.

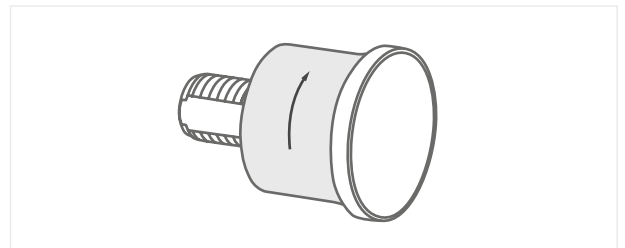


- 4 Remove the opening needle and pull the control panel forward.



- 5 Remove the battery compartment cover. Replace the batteries according to the (+/-) symbols and replace the battery compartment cover.

- 6 Push the control panel back. Carefully turn the housing clockwise back until it clicks into place.



To the video:
Battery change¹



For online viewing,
click on QR codes.

Conformity / Certification

CE Declaration of Conformity

Hereby, **BURG Lüling GmbH & Co. KG** declares that the radio equipment, type **Flexo.Code**, is in conformity with directives 2014/30/EU and 2011/65/EU. The full text of the EU Declaration of Conformity can be found at the following link:



https://www.burg.de/files/downloads/Declaration-of-Conformity/BURG_DoC_FlexoCode_EN.pdf

FCC Compliance

This equipment has been tested and found to comply with the limits for a Class B digital device, pursuant to Part 15 of the FCC Rules. Operation is subject to the following two conditions:

- (1) This device may not cause harmful interference, and
- (2) this device must accept any interference received, including interference that may cause undesired operation.

CAUTION: The user is not permitted to change or modify this class B equipment unless expressly authorized to do so by the party responsible for ensuring compliance. Changes or modifications could void the user's authority to operate the equipment.

IC Compliance

This class B device complies with Industry Canada RSS standard ICES-003. Operation is subject to the following two conditions:

- (1) This device may not cause interference, and
- (2) this device must accept any interference, including interference that may cause undesired operation of the device.

Changes or modifications not expressly approved by the party responsible for compliance could void the user's authority to operate the equipment.

Cet appareil de la classe B est conforme à la norme NMB-003 d'Industrie Canada applicable aux appareils radio exempts de licence. L'exploitation est autorisée aux deux conditions suivantes :

- (1) L'appareil ne doit pas produire de brouillage, et*
- (2) l'utilisateur de l'appareil doit accepter tout brouillage radioélectrique subi, même si le brouillage est susceptible d'en compromettre le fonctionnement.*

Les changements ou modifications non expressément approuvés par la partie responsable de la conformité peuvent annuler l'autorité de l'utilisateur à faire fonctionner l'équipement.

Guarantee and Warranty

The warranty is subject to the statutory provisions. If you have any questions, please contact a specialist dealer or use the contact details below. Spare parts can be found at specialist dealers or at: www.burg.shop

Cleaning and Care Instructions

Remove the batteries before cleaning the appliance. Carefully clean the surfaces of the appliance with a damp, clean cloth. Chemical cleaning agents must not be used. Do not allow dust or liquids to enter the device.

Disposal and Battery Note

EU Directive 2012/19/EU regulates the proper take-back, treatment and recycling of used electronic devices.

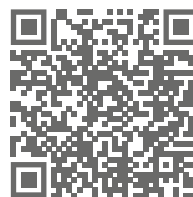
Every consumer is legally obliged to dispose of batteries, rechargeable batteries or electrical and electronic devices ("old devices") that are powered by batteries or rechargeable batteries separately from household waste, as they contain harmful substances and valuable resources. They can be disposed of at an approved collection or take-back point, e.g. a local recycling center. Old appliances, batteries and rechargeable batteries are accepted there free of charge and recycled in an environmentally friendly and resource-saving manner. Old electrical appliances, used batteries or rechargeable batteries can also be returned to us. The return shipment must be sent with sufficient postage to the address below. The following symbol on waste electrical equipment, batteries or rechargeable batteries indicates that they must not be disposed of with household waste:



Important notes on the use of batteries:

- The use of high-quality brand batteries is essential for the correct functioning of the locking system. BURG locking systems are approved ex works for the specified industrial batteries of the VARTA brand. The use of batteries of other brands can lead to a reduced number of possible locking cycles as well as to limited functionality and functional problems, as experience has shown that batteries of other brands even with the same specifications have different performance characteristics. BURG does **not guarantee** the functionality of the locking system when using batteries of a brand other than those specified above.
- If both batteries are removed at the same time when changing the batteries or over a longer period of time, settings relating to the integrated real-time clock (RTC) will be lost.
- The battery may explode or release flammable gases if it is handled incorrectly, destroyed or the wrong type of battery is used. Do not recharge the battery, disassemble it, expose it to extremely high temperatures or throw it into a fire. Batteries containing harmful substances are labeled with abbreviations for the substances cadmium (Cd), mercury (Hg) and lead (Pb). If the lock is not used for a longer period of time, the batteries must be removed.

Information on battery life



For online viewing, click on QR codes.

Contact

BURG Lüling GmbH & Co. KG

Volmarsteiner Str. 52
58089 Hagen (Germany)
+49(0)23 35 63 08-0

info@burg.de
www.burg.de